

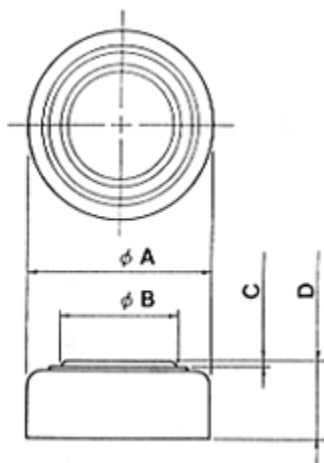
SONY Alkaline Batteries

Line Up

○ size matrix

Diameter	Hight					
	2.05mm	2.6mm	3.05mm	3.6mm	4.2mm	5.4mm
6.7mm	LR626SW					
7.9mm	LR41					
11.6mm	LR1120	LR1130		LR43		LR44

○ Dimensions(mm)



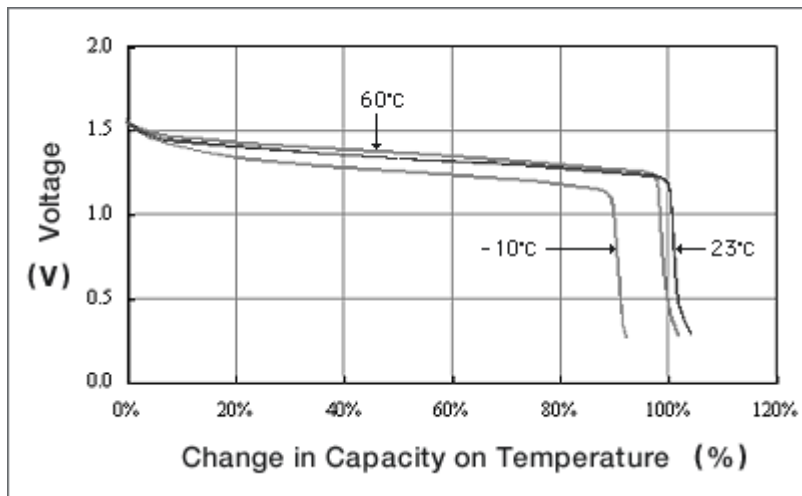
○ Dimensions

Model	JIS (IEC)	Electrical Characteristics		Dimensions				Mass (g)
		Nominal Voltage (V)	Nominal Capacity (mAh)	Diameter (mm) ϕA	Height (mm) D	Boss Diameter (mm) Typ. ϕB	Clearance (mm) C	
LR44	LR44	1.5	120	11.6(+0,-0.35)	5.40(+0,-0.40)	5.9	0.08min.	2
LR43	LR43	1.5	110	11.6(+0,-0.35)	4.20(+0,-0.40)	6.3	0.08min.	1.5
LR1130	LR54	1.5	70	11.6(+0,-0.35)	3.05(+0,-0.30)	7.9	0.08min.	1.2
LR1120	(LR1120)	1.5	45	11.6(+0,-0.35)	2.05(+0,-0.20)	8.7	0.06min.	0.8
LR41	LR41	1.5	45	7.9(+0,-0.35)	3.60(+0,-0.30)	5.0	0.08min.	0.6
LR626SW	-	1.5	21	6.8(+0,-0.15)	2.60(+0,-0.20)	4.9	0.08min.	0.3

*Typical data.

○ Specification of Button Type Alkaline Manganese Batteries

● Discharge Characteristics vs. Temperature/Capacity



● Specifications

Model	Nominal Voltage (V)	Nominal Capacity (mAh)	Electrical Characteristics				Dimensions		Mass (g)
			Discharge time(h) 0.9V				Diameter (mm)	Height (mm)	
			load (K Ω)	60°C	23°C	-10°C			
LR44	1.5	120.0	4.7	405	420	375	11.6	5.40	1.95
LR43	1.5	100.0	6.8	490	505	455	11.6	4.20	1.51
LR1130	1.5	65.0	10	465	480	430	11.6	3.05	1.16
LR1120	1.5	33.0	22	520	540	485	11.6	2.05	0.79
LR41	1.5	30.0	22	475	490	440	7.9	3.60	0.59

*Typical data.

For inquiries and orders, contact:

MICROBATTERY.COM

7350 NW 35th Terrace, Miami, Florida 33122

Customer Service: 1-866-999-2355

Phone 1-305-371-9200 FAX 1-305-371-9400

www.microbattery.com