



International size reference: 1/6D

ER32L100

Lithium-thionyl Chloride
(Li-SOCl₂) Battery

ELECTRICAL CHARACTERISTICS


(typical values for cells stored for one year or less, at 25°C)

● Nominal capacity	1.70Ah
(at 1.0 mA, +25°C, 2.0V cut off. The capacity restored by the cell varies according to current drain, temperature and cut off voltage.)	
● Rated voltage	3.6V
● Maximum recommended continuous current	10mA
(To get 50% of the nominal capacity at +25°C with 2.0V cut off. Higher currents possible, consult EVE.)	
● Maximum pulse current capability	50mA
Rated 1 sec. pulse capability(to 3V)	20mA
Pulse capability varies according to pulse characteristics (frequency and duration), temperature, cell history (storage conditions prior to usage) and the application's acceptable minimum voltage.	
● Storage (recommended)	30°C max
(for more severe condition consult EVE)	
● Operating temperature range	-55°C / +85°C
(Operation at temperature different from ambient may lead to reduced capacity and lower voltage plateau readings.)	
● Typical weight	24g

WARNING:

Fire, explosion and severe burn hazard. Do not recharge, crush, disassemble, heat above 100°C, incinerate, or expose contents to water.

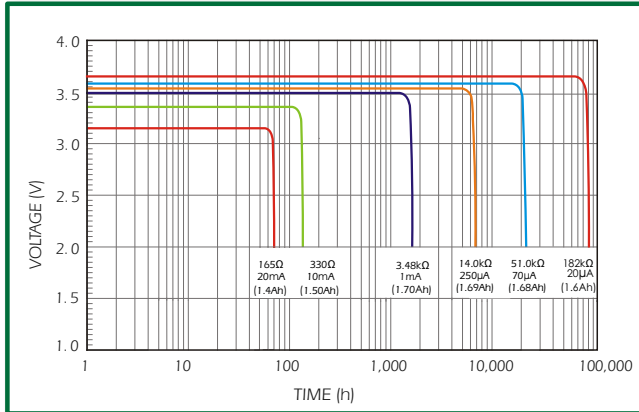
KEY FEATURES

- ✓ High and stable operating voltage
- ✓ High minimum voltage during pulsing
- ✓ Low self discharge rate (less than 1% after 1 year of storage at +25°C)
- ✓ Stainless steel container
- ✓ Hermetic glass-to-metal sealing
- ✓ Non-flammable electrolyte
- ✓ Compliant with IEC 86-4 safety standard and EN 50020 intrinsic safety
-  Underwriters Laboratories (UL) Component Recognition (File Number MH28717)

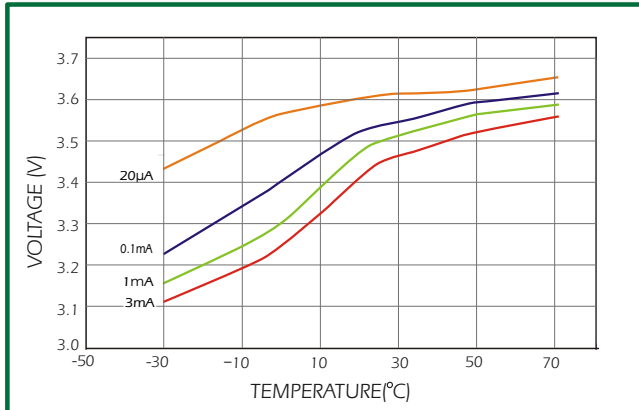
MAIN APPLICATIONS

- ✓ Utility metering
- ✓ Alarms and security devices
- ✓ Memory back-up
- ✓ Tracking systems
- ✓ Automotive electronics
- ✓ Professional electronics ... etc.

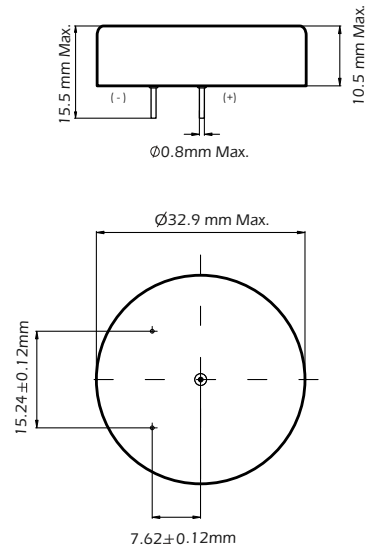
1. DISCHARGE CHARACTERISTICS @ +25°C



2. VOLTAGE VS. TEMPERATURE



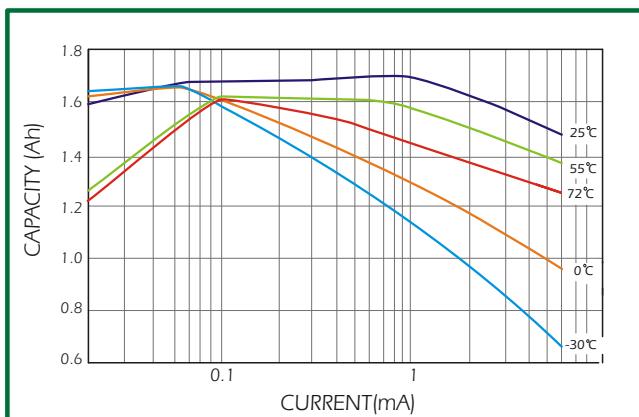
ER32L100



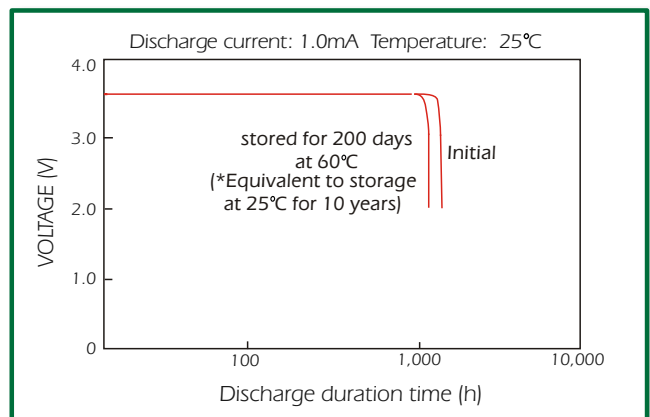
AVAILABLE TERMINATIONS

Suffix -/P Tinned Nickel Pins

3. CAPACITY VS. CURRENT



4. STORAGE CHARACTERISTICS



EVE ENERGY CO., LTD.

Address: EVE Industrial Park, XiKeng Industrial zone, Huihuan Town, Huizhou, Guangdong, China
 Operator: (86-752)260 6966 Direct: (86-752)261 0803
 Fax: (86-752)260 6033 PC: 516006

<http://www.evebattery.com> Email: sales@evebattery.com

Latest version can be downloaded from the EVE website