



MODEL CR9V-J
Lithium Manganese Dioxide
(Li-MnO₂) Battery

ELECTRICAL CHARACTERISTICS

(typical values for cells stored for one year or less, at 23°C)

■ **Nominal capacity** **1,250 mAh**
 (at 9 mA, +23°C, 5.4V cut off. The capacity restored by the cell varies according to current drain, temperature and cut off voltage.)

■ **Rated voltage** **9.0 V**

■ **Maximum recommended continuous current** **400 mA**
 (To get 50% of the nominal capacity at +23°C with a 5.4V cut off. Higher currents possible, consult OmniCel.)

■ **Maximum pulse current capability** **800 mA**

■ **Pulse capability:** varies according to pulse characteristics (frequency and duration), temperature, cell history (storage conditions prior to usage) and the application's acceptable minimum voltage. Consult OmniCel.

■ **Storage** (recommended) **30°C max**
 (possible without leakage) **-40° / +60°C**

■ **Operating temperature range** **-30° / +85°C**
 (Operation at temperature different from ambient may lead to reduced capacity and lower voltage plateau readings.)

⚠ WARNING:
 Risk of fire and burns. Do not recharge, disassemble, heat above 100°C or incinerate. Do not mix fresh batteries with used Lithium Batteries or other battery types.

TRANSPORTATION:
 For a complete description of transportation regulations and definitions of the transportation regulations and definitions of the transportation classifications "Excepted" and "Class 9" refer to the OmniCel website at www.omnicel.com

Note: Any representations in this data sheet concerning performance are for informational purpose only and are not construed as warranties, either expressed or implied, of future performance.

KEY FEATURES

- ✓ High energy density
- ✓ Wide operating temperature range
- ✓ High pulse current capability
- ✓ Lasts up to 5X longer than ordinary 9V alkaline batteries
- ✓ Lasts up to 10X longer than Carbon-zinc batteries
- ✓ Low self discharge rate (less than 0.16% per month at +23°C)

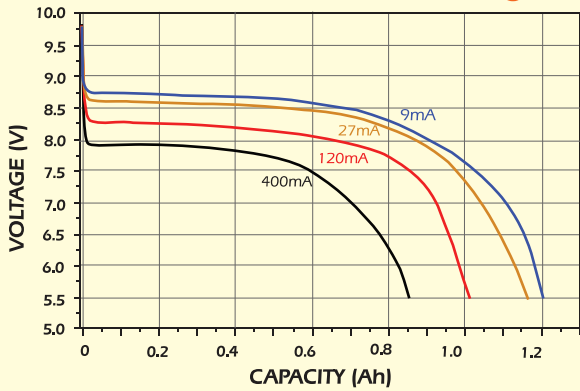
✓ Glass-to-metal sealed

UL Underwriters Laboratories (UL) Component Recognition (File Number MH 47565)

MAIN APPLICATIONS

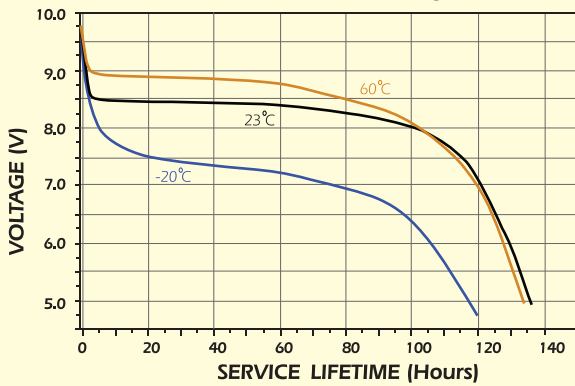
- ✓ Medical Devices
- ✓ Music/Audio Devices
- ✓ Instrumentation
- ✓ Safety Devices
- ✓ Communication Devices
...etc.

TYPICAL CONTINUOUS DISCHARGE CAPACITY @25°C

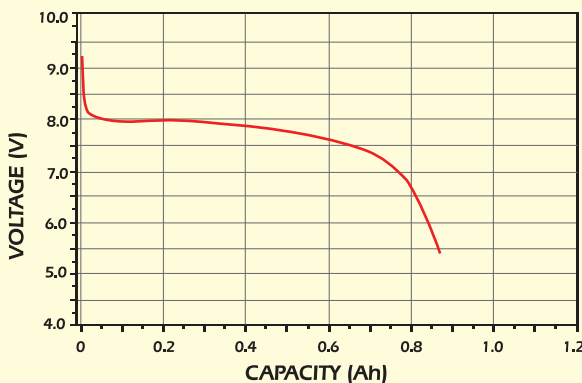


TYPICAL DISCHARGE VS. TEMPERATURE

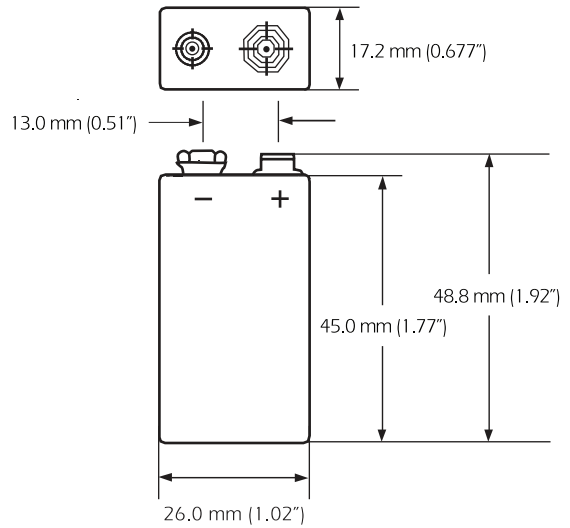
900Ω Continuous Discharge



TYPICAL 400mA CONTINUOUS DISCHARGE @25°C



CR9V-J



Exterior/Housing: Nickel-plated Steel

Terminals/Connector: Nickel-plated Miniature Snap

PHYSICAL CHARACTERISTICS

| | |
|----------------|------------------|
| Length(max) | 26.0 mm (1.02") |
| Width (max) | 17.2 mm (0.677") |
| Height (max) | 48.8 mm (1.92") |
| Typical weight | 50.0 g (1.77 oz) |

SHORT CIRCUIT TEMPERATURE VS. CURRENT VS. TIME

