

Data sheet: Safety Isolating Transformers Type VC

Description : Safety isolating transformer constructed and tested according to VDE 0570/EN 61 558, UL 506, CSA 22.2

Approvals : According to table

Test voltage PRI - SEC 5000 V, 50 Hz
SEC – SEC 250 V, 50Hz

Short-circuit protection : non-short-circuit proof

Construction : Open design, potted in insulation housing

Safety class : Prepared for class II equipment

Protection index : Connections IP 00
Housing IP 65

Max ambient temperature : According to table

Insulation class of the insulation system : VDE (B= 130°C) ; UL+CSA Class 105 (A=105°C)

Input voltage : 230V

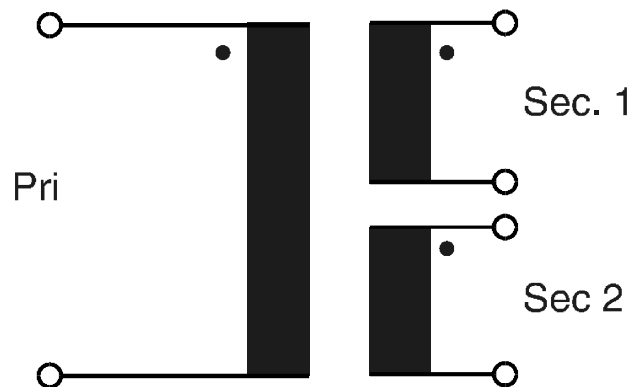
Frequency : 50 - 60 Hz

Output voltage : According to table

Connections : Soldering pins for printed circuit board mounting

Packing : Separately packed in cartons

Schematic plan :



Description :

 These VC type resin moulded safety isolating transformers,
 are non-short-circuit proof transformers for PCB mounting.
 The dual output windings are for series or parallel connection.

Note :

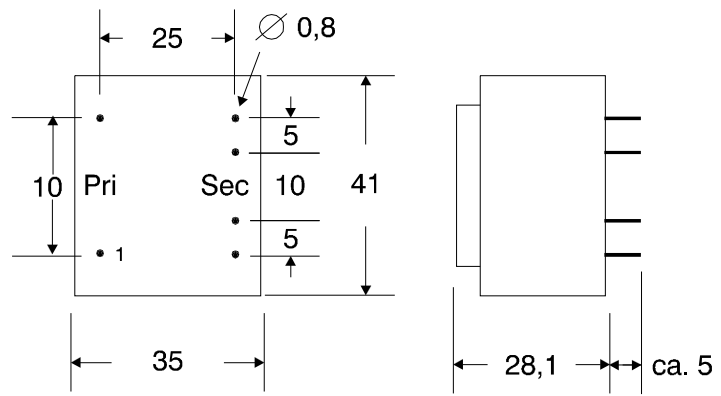
- * vacuum epoxy resin moulded (self-extinguishing to UL 94 V0)
- * 100% tested
- * Two chamber bobbin construction

Output power 3,2 VA Core-type EI 38/13,5

Height 28,1 mm Weight 150g

Ground area 41 mm x 35 mm

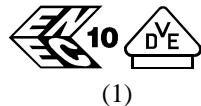
Type	SEC rated output- voltage current		Approvals
	V	A	
VC 3,2/2/6	2x6	2x0,266	1,2
VC 3,2/2/8	2x8	2x0,20	1,2
VC 3,2/2/9	2x9	2x0,177	1,2
VC 3,2/2/12	2x12	2x0,133	1,2
VC 3,2/2/15	2x15	2x0,106	1,2
VC 3,2/2/18*	2x18	2x0,088	1,2
VC 3,2/2/24*	2x24	2x0,066	1,2



according to VDE 0570/EN 61 558 -1 : 1997 with part 2-6
 *according to VDE 0570/EN 61 558 -1 : 1997 with part 2-1

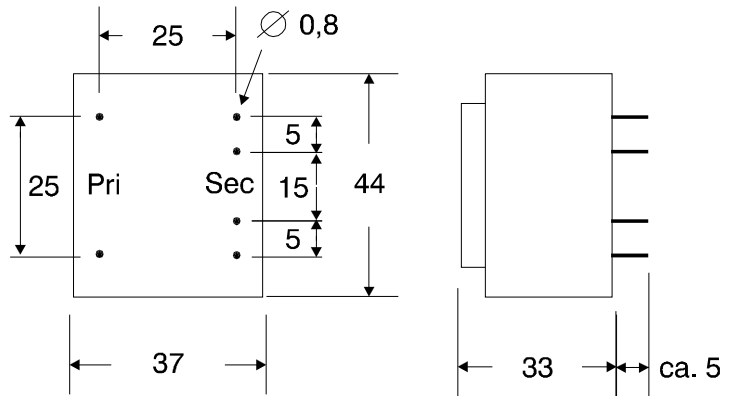
No load output voltage x Factor = typ. 1,45
 Core Losses typ. 0,8W
 Efficiency typ. 65 %
 Ambient Temperature (ta) +60°C

Approvals



Height 33 mm Weight 190g
 Ground area 44 mm x 37 mm

Type	SEC rated output-		Approvals
	voltage V	current A	
VC 5,0/2/6	2x6	2x0,416	1,2
VC 5,0/2/8	2x8	2x0,321	1,2
VC 5,0/2/9	2x9	2x0,277	1,2
VC 5,0/2/12	2x12	2x0,208	1,2
VC 5,0/2/15	2x15	2x0,166	1,2
VC 5,0/2/18	2x18	2x0,138	1,2
VC 5,0/2/24*	2x24	2x0,104	2



according to VDE 0570/EN 61 558 -1 : 1997 with part 2-6
 *according to VDE 0570/EN 61 558 -1 : 1997 with part 2-1

No load output voltage x Factor = typ. 1,35
 Core Losses typ. 1,5
 Efficiency typ. 77 %
 Ambient Temperature (ta) +50°C

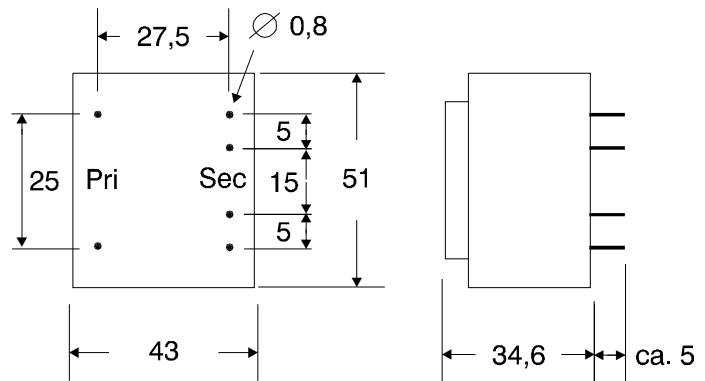
Approvals   (1)

 (2)

Height 34,6 mm Weight 280g

Ground area 51 mm x 43 mm

Type	SEC rated output-voltage V	current A	Approvals
VC 10/2/6	2x6	2x0,833	1,2
VC 10/2/8	2x8	2x0,625	1,2
VC 10/2/9	2x9	2x0,555	1,2
VC 10/2/12	2x12	2x0,416	1,2
VC 10/2/15	2x15	2x0,333	1,2
VC 10/2/18	2x18	2x0,277	1,2
VC 10/2/24*	2x24	2x0,208	2



according to VDE 0570/EN 61 558 -1 : 1997 with part 2-6
*according to VDE 0570/EN 61 558 -1 : 1997 with part 2-1

No load output voltage x Factor = typ. 1,22
Core Losses typ. 1,5
Efficiency typ. 79 %
Ambient Temperature (ta) +40°C

Approvals  (1)

 (2)

