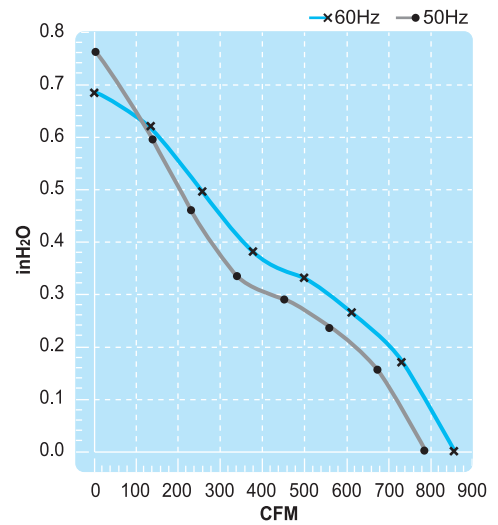
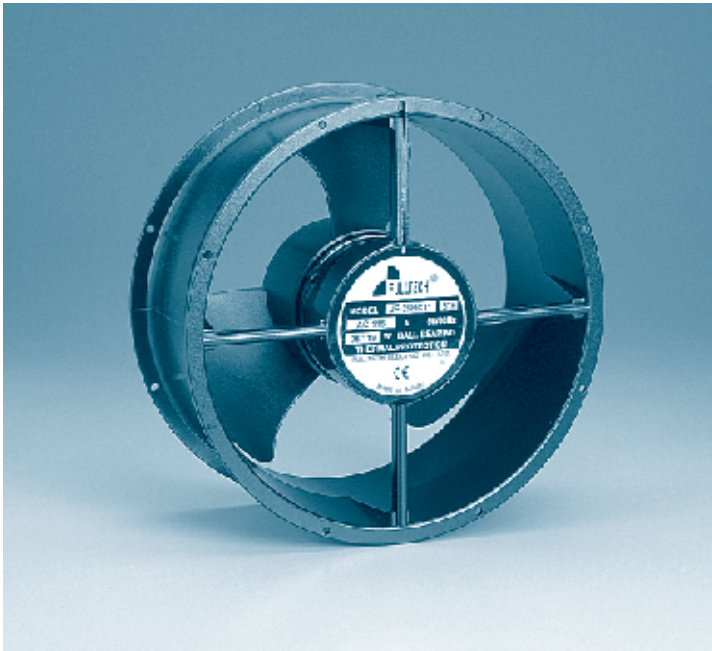
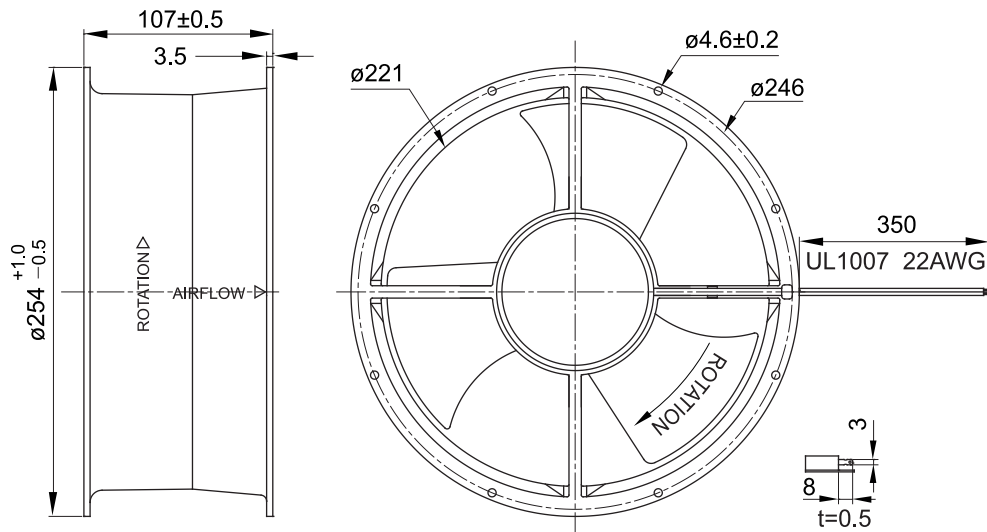


UF25H(C) Series

Size : 254 x 254 x 107
Unit : mm



Thermal Protection



Terminal or Lead Wire Type



Spec.	Rated Voltage	Frequency	Input Power	Rated Current	Locked Current	Speed	Maximum Air Flow	Maximum Air Flow	Maximum Pressure	Maximum Pressure	Noise	Weight
Model	V	Hz	W	A	A	RPM	m ³ /min.	CFM	mmH ₂ O	InchH ₂ O	dB	kg
UF25HC11-H	115V	50	95	0.85	1.65	2600	22	780	19.0	0.75	63	2.5
		60	125	1.07	1.50	2750	24	850	17.5	0.68	65	
UF25HC23-H	230V	50	95	0.42	0.80	2600	22	780	19.0	0.75	63	2.5
		60	125	0.50	0.75	2750	24	850	17.5	0.68	65	