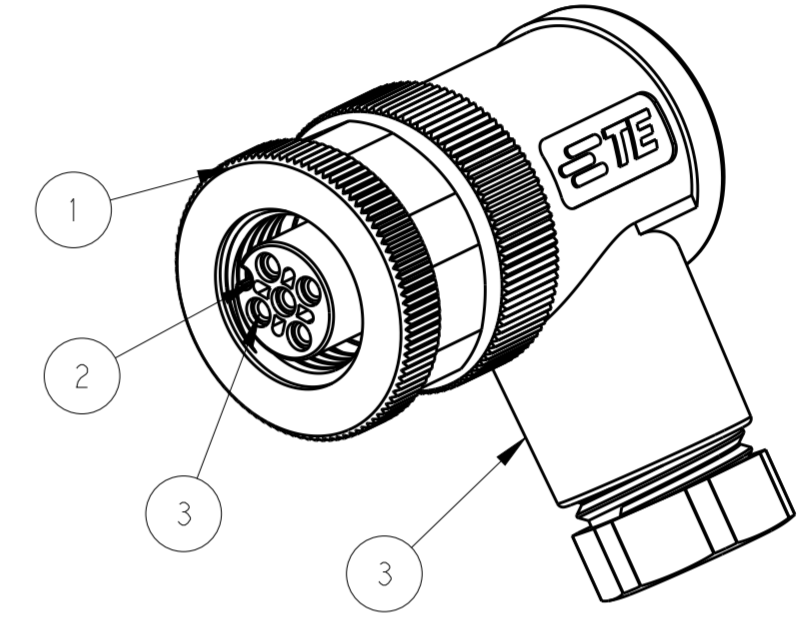
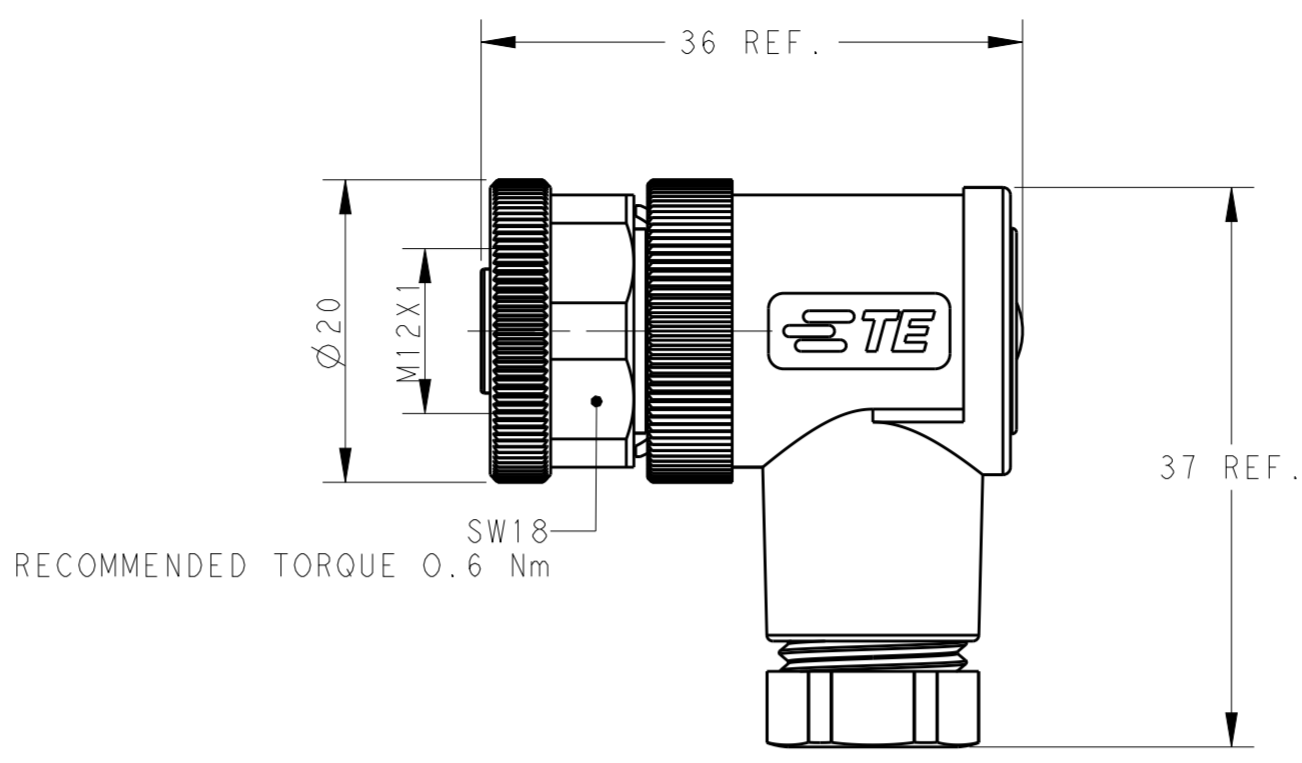
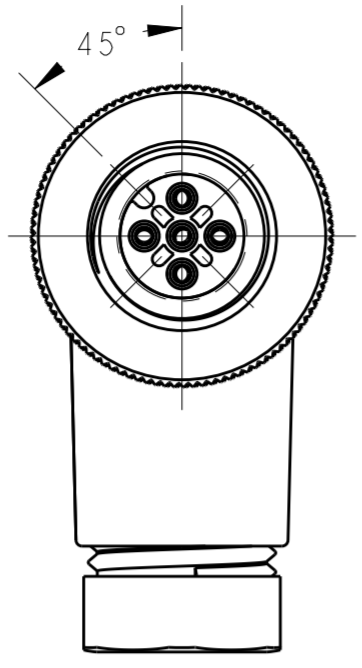


THIS DRAWING IS UNPUBLISHED. RELEASED FOR PUBLICATION 20  
 © COPYRIGHT 20 BY - ALL RIGHTS RESERVED.

REVISIONS				
P	LTR	DESCRIPTION	DATE	APVD
A		INITIAL RELEASE	29JUL2015	NP XX
A1		ECR-15-018715 ADD 114 SPEC.	29DEC2015	NP XX

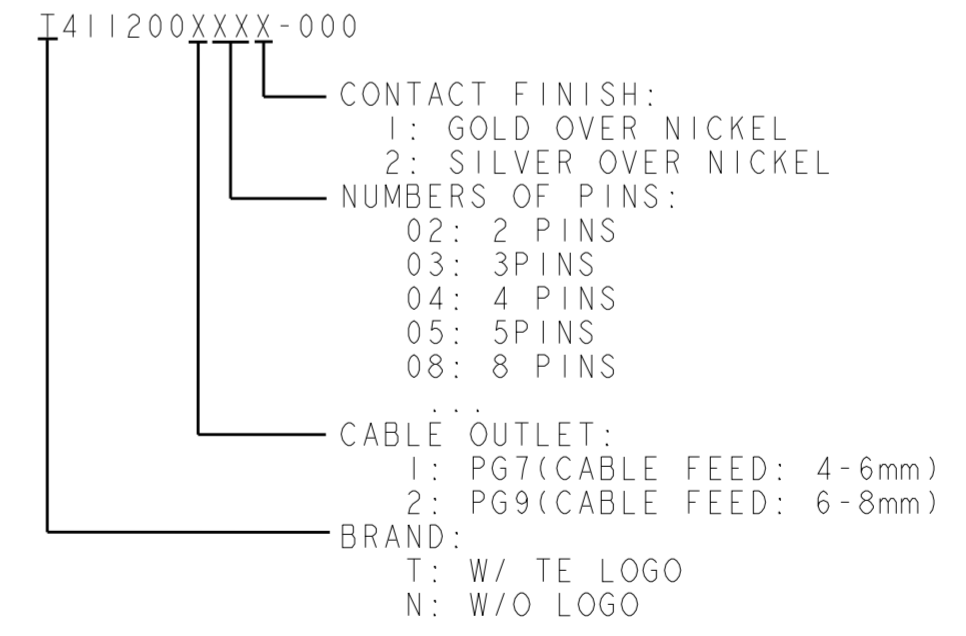


TECHNICAL DATA	T411200X02X-000	T411200X03X-000	T411200X04X-000	T411200X05X-000	T411200X08X-000
RATED VOLTAGE	250V	250V	250V	60V	30V
RATED CURRENT	4A	4A	4A	4A	2A
POLLUTION DEGREE	3	3	3	3	3
OVERVOLTAGE CATEGORY	II	II	II	II	II
MATERIAL GROUP	II	II	II	II	II
CONTACT RESISTANCE	≤8mΩ	≤8mΩ	≤8mΩ	≤8mΩ	≤8mΩ
INSULATION RESISTANCE	>100MΩ	>100MΩ	>100MΩ	>100MΩ	>100MΩ
DEGREE OF PROTECTION	IP67	IP67	IP67	IP67	IP67
OPERATION TEMPERATURE	-40~85°C	-40~85°C	-40~85°C	-40~85°C	-40~85°C

- NOTE:
- MATERIAL:
    - ITEM NO.1: NUT -BRASS
    - ITEM NO.2: HOUSING -PA
    - ITEM NO.3: CONTACT -BRONZE
    - ITEM NO.4: HOUSING BODY: -PBT+GF
  - CONTACT FINISH:
    - GOLD OVER NICKEL OR SILVER OVER NICKEL
  - CABLE WIRES:
    - 18AWG/0.75mm<sup>2</sup> Max. FOR 2-5 PINS
    - 20AWG/0.50mm<sup>2</sup> Max. FOR 8 PINS
  - ALL DIMENSIONS ARE FOR NOMINAL REFERENCE ONLY UNLESS OTHERWISE STATED
  - PACKAGEING: 1PIECE IN A BAG
  - PN INFORMATION

PIN ARRANGEMENT A-CODE		
T411200X02X-000	T411200X03X-000	T411200X04X-000

T4112002081-000	RPC-M12A-FR-8CON-PG9-MU
T4112002081-000	RPC-M12A-FR-8CON-PG7-MU
T4112002082-000	RPC-M12A-FR-8CON-PG9-M
T4112001082-000	RPC-M12A-FR-8CON-PG7-M
T4112002051-000	RPC-M12A-FR-5CON-PG9-MU
T4112001051-000	RPC-M12A-FR-5CON-PG7-MU
T4112002052-000	RPC-M12A-FR-5CON-PG9-M
T4112001052-000	RPC-M12A-FR-5CON-PG7-M
T4112002041-000	RPC-M12A-FR-4CON-PG9-MU
T4112001041-000	RPC-M12A-FR-4CON-PG7-MU
T4112002042-000	RPC-M12A-FR-4CON-PG9-M
T4112001042-000	RPC-M12A-FR-4CON-PG7-M
T4112002031-000	RPC-M12A-FR-3CON-PG9-MU
T4112001031-000	RPC-M12A-FR-3CON-PG7-MU
T4112002032-000	RPC-M12A-FR-3CON-PG9-M
T4112001032-000	RPC-M12A-FR-3CON-PG7-M
T4112002021-000	RPC-M12A-FR-2CON-PG9-MU
T4112001021-000	RPC-M12A-FR-2CON-PG7-MU
T4112002022-000	RPC-M12A-FR-2CON-PG9-M
T4112001022-000	RPC-M12A-FR-2CON-PG7-M
TE PN	TYPE



THIS DRAWING IS A CONTROLLED DOCUMENT.		DWN HAO WANG 08JAN2015	TE Connectivity															
		CHK KOBBY ZHAO 08JAN2015																
		APVD XIANG XU 08JAN2015	NAME M12 FEMALE, A CODE, RA UNSHIELDED CONNECTOR SCREW TERMINAL															
DIMENSIONS: mm		TOLERANCES UNLESS OTHERWISE SPECIFIED:	PRODUCT SPEC 108-106140															
<table border="1"> <tr><td>0 PLC</td><td>±0.2</td></tr> <tr><td>1 PLC</td><td>±0.2</td></tr> <tr><td>2 PLC</td><td>±0.2</td></tr> <tr><td>3 PLC</td><td>±</td></tr> <tr><td>4 PLC</td><td>±</td></tr> <tr><td>ANGLES</td><td>±</td></tr> <tr><td>FINISH</td><td>±</td></tr> </table>		0 PLC	±0.2	1 PLC	±0.2	2 PLC	±0.2	3 PLC	±	4 PLC	±	ANGLES	±	FINISH	±	APPLICATION SPEC 114-137144	SIZE A2	
0 PLC	±0.2																	
1 PLC	±0.2																	
2 PLC	±0.2																	
3 PLC	±																	
4 PLC	±																	
ANGLES	±																	
FINISH	±																	
MATERIAL		WEIGHT	DRAWING NO. C-T411200XXXX000															
		CUSTOMER DRAWING	RESTRICTED TO															
		SCALE 2:1	SHEET 1 OF 1 REV A1															