

Keyword:
Enhanced Start

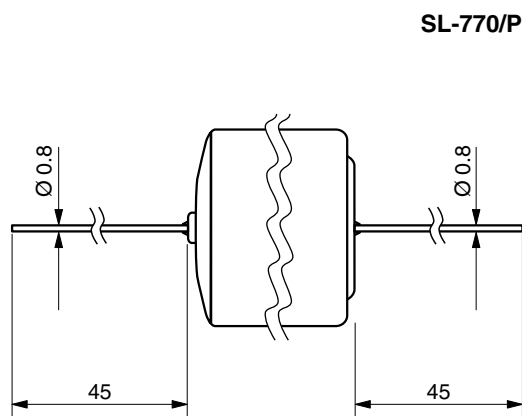
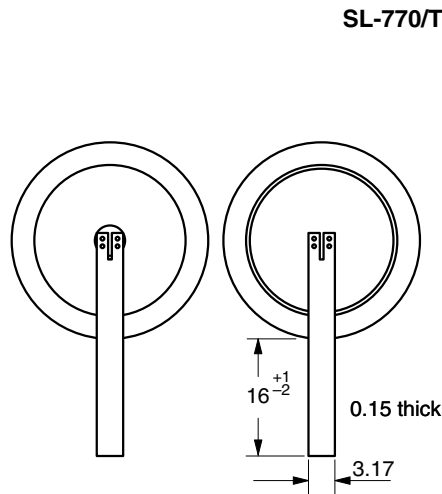
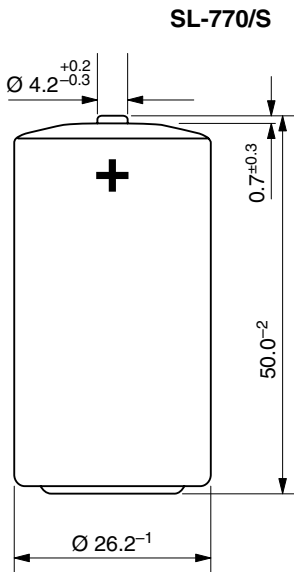
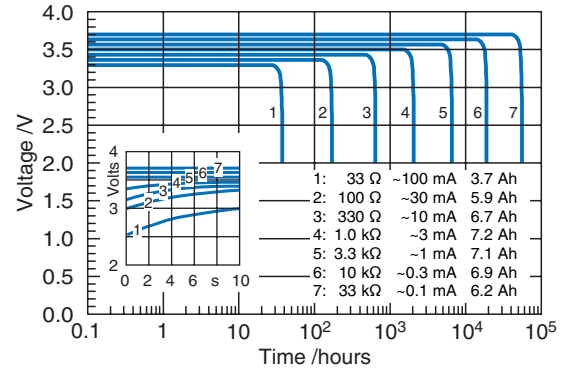
Type: SL-770

Performance Data (Typical values for batteries stored at 25 °C for one year) **Size C**

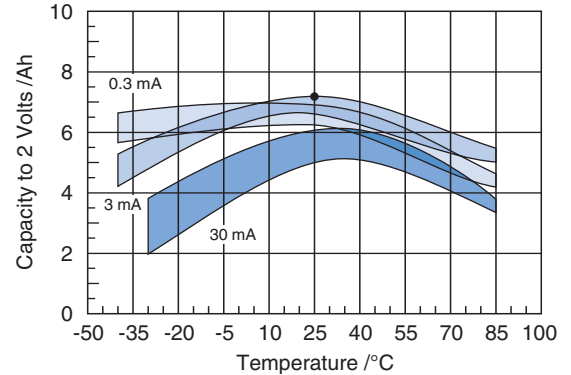
System	Li/SOCl ₂
Nominal voltage	3.6 V
Nominal capacity	7.2 Ah
Nominal current	3 mA
Max. continuous discharge current	100 mA
Pulse current capability	300 mA
Anode surface area	30 cm ²
Weight	50 g
Volume	26 cm ³
Temperature range	-55...+85 °C

WARNING:
Fire, explosion, and severe burn hazard. Do not recharge, disassemble, heat above 100 °C, incinerate, or expose contents to water.

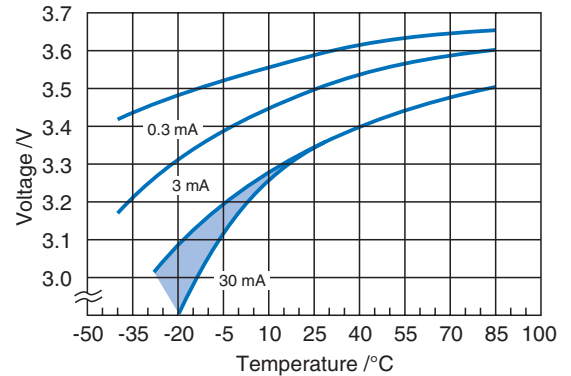
Typical Discharge Curves at +25 °C



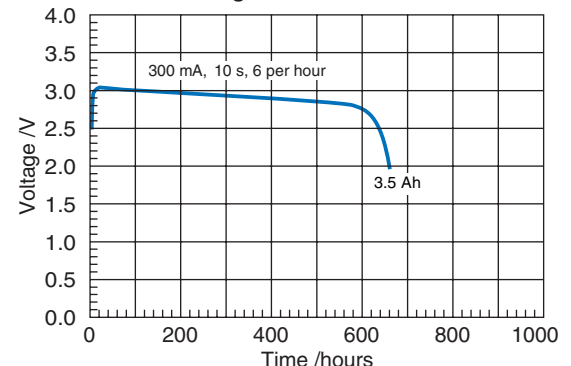
Available Capacity



Operating Voltage



Pulse Discharge Characteristics at +25 °C



Available Terminations

SL-770/S	Standard
SL-770/T	Tags
SL-770/P	Pins

Catalogue No.

11 1 17701 00
11 1 17702 00
11 1 17703 00

Any values given here are for information purposes only. They also depend on actual conditions of use and are not warranties of future performance. Subject to change.