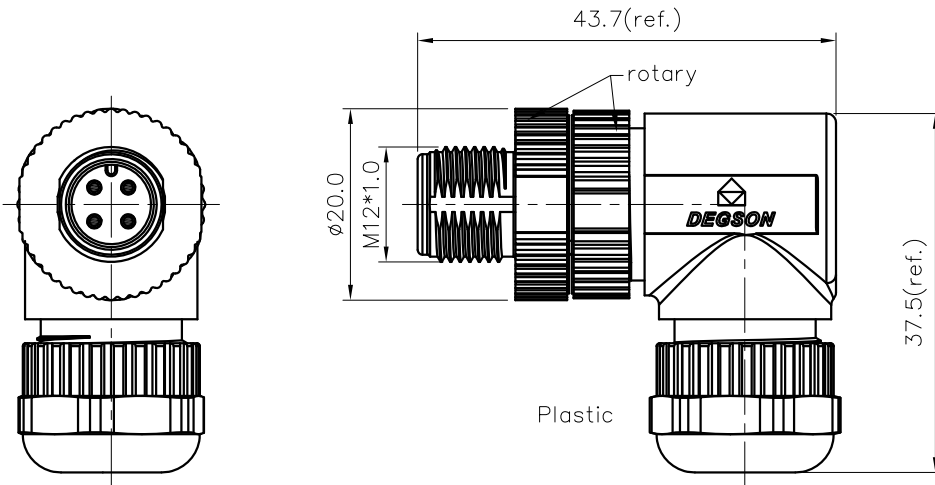


REVISION RECORD

REV	ECN	DESCRIPTION	DRFT	DATE
-----	-----	-------------	------	------



NOTES:

- Rated voltage/current :
 3pin A: 250V / 4A
 4pin A: 250V / 4A
 5pin A: 60V / 4A
 6pin A: 30V / 2A
 8pin A: 30V / 2A
 5pin B: 60V / 4A
 4pin D: 250V / 4A
- Withstanding voltage :
 3,4pin A: AC1500V/1Min
 5pin A: AC1120V/1Min
 6,8pin A: AC500V/1Min
 5pin B: AC1120V/1Min
 4pin D: AC1500V/1Min
- Levels of protection: IP67
- Wire range :
 3pin A: 24~20AWG/0.25~0.52mm²
 4pin A: 24~20AWG/0.25~0.52mm²
 5pin A: 24~20AWG/0.25~0.52mm²
 6pin A: 24~22AWG/0.25~0.34mm²
 8pin A: 24~22AWG/0.25~0.34mm²
 5pin B: 24~20AWG/0.25~0.52mm²
 4pin D: 24~20AWG/0.25~0.52mm²
- Cable OD: 4~8mm
- Wire connection mode: screw
- Operating temperature: -25°C~+105°C
- RoHS Compliance

PB-M12X-XXP-MM-SR7001-00A(H)
 Coding: A,B,D
 Pin number: 03,04,05, 06,08

5pin B Coding	4pin D Coding			
Pin Assignments Front View	Pin Assignments Front View			
3pin A Coding	4pin A Coding	5pin A Coding	6pin A Coding	8pin A Coding
Pin Assignments Front View	Pin Assignments Front View	Pin Assignments Front View	Pin Assignments Front View	Pin Assignments Front View

DETACHED LISTS	PART NO.: PBM12XXXPMMSR700100AH	宁波高松电子有限公司 NINGBO DEGSON ELECTRICAL CO., LTD		
	APPD:	NAME: PB-M12X-XXP-MM-SR7001-00A(H)		
	CHKD:	TITLE: CUSTOMER DRAWING		
	DRFT: LZ 2018.10.08	REV: D0-1	SHEET: 1/1	SCALE: 1:1
THIRD ANGLE PROJECTION		DRAWING NO.: XXXXXXXX-XX-CXX DO NOT SCALE DRAWING		