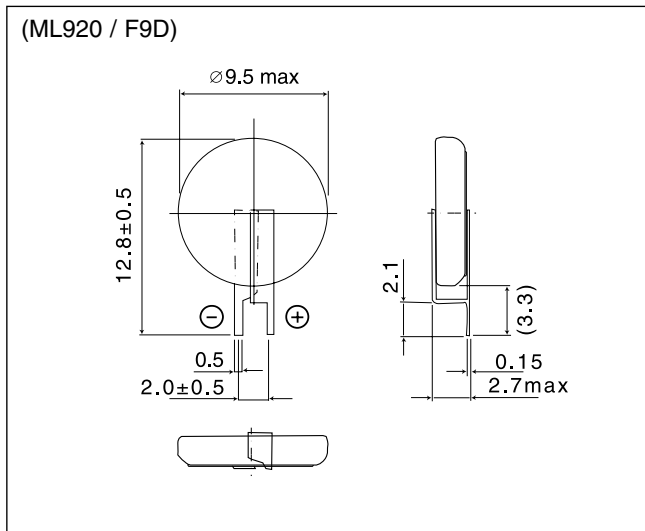


# ML920

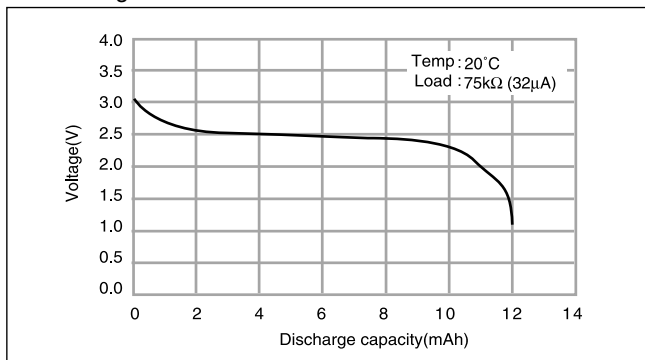
## ■ Dimensions(mm)



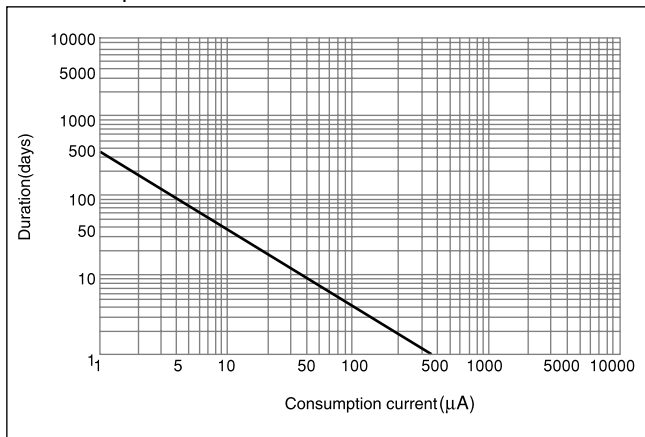
## ■ Specification

Nominal voltage(V)	3
Nominal capacity(mAh)	11.0
Continuous drain(mA)	0.03
Operating temperature(°C)	-20 to +60

## ■ Discharge characteristics

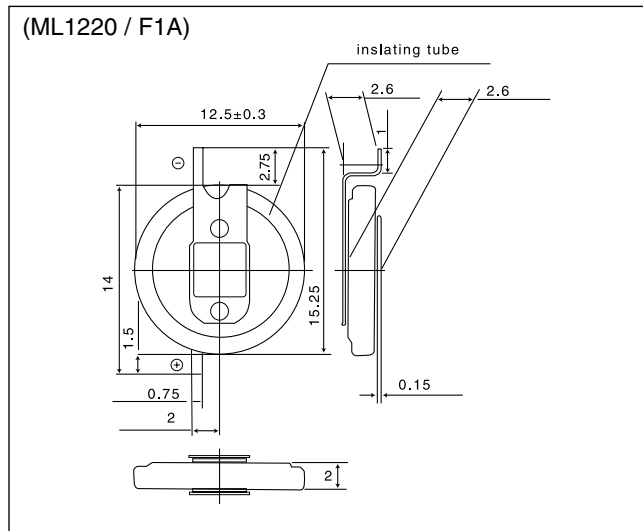


## ■ Consumption current vs. duration time



# ML1220

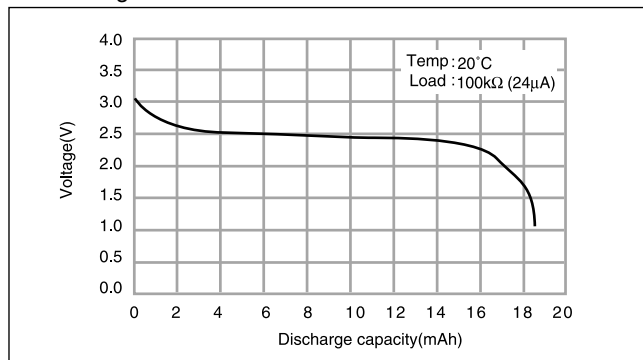
## ■ Dimensions(mm)



## ■ Specification

Nominal voltage(V)	3
Nominal capacity(mAh)	17.0
Continuous drain(mA)	0.03
Operating temperature(°C)	-20 to +60

## ■ Discharge characteristics



## ■ Consumption current vs. duration time

