

LA42DWQ Potentiometer**Data:**

Electrical Characteristics:

Resistance Range 1K Ω 、2K Ω 、3.7K Ω 、4.7 K Ω 、5 K Ω 、10 K Ω 、20 K Ω 、22 K Ω 、100 K Ω etc.resistance tolerance $\pm 10\%$ Terminal resistance $\leq 1\%R$

Contact resistance variation..... 4%R

Insulation resistance..... $R_1 \geq 1G\Omega$

Voltage Endurance..... 101.3kpa 1000V, 8.5kpa 350V

Environmental characteristics:

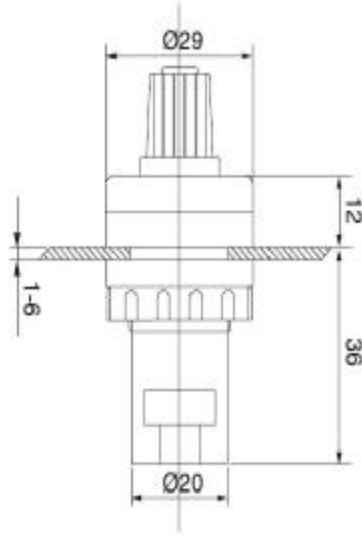
Rated power(max operated voltage 250V) $+70^\circ\text{C}$ 0.5W,+125 $^\circ\text{C}$ 0WRange of working temperature $-5^\circ\text{C}— +125^\circ\text{C}$ Collison..... 390m/s², 4000 times, $\Delta R \leq \pm 2\%R$ Vibration 10-500Hz, 0.75mm or 98m/s², 3h
..... $\Delta R \leq \pm 2\%R$, $(\Delta U_{ab}/U_{ac}) \leq 2\%$ Electrical durability in 70 $^\circ\text{C}$ 0.5W, 1000h,

Mechanical endurance..... 10000 weeks

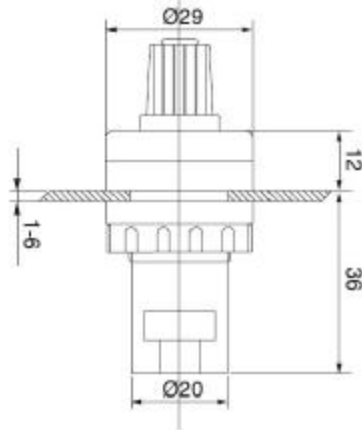
Normal hot and humid condition..... $\Delta R \leq \pm 2\%R$

Name/ picture	Size	Model
		LA42DWQ 1K
		LA42DWQ 2K
		LA42DWQ 4.7K

		<p>LA42DWQ 5K</p>
		<p>LA42DWQ 10K</p>
		<p>LA42DWQ 20K</p>



LA42DWQ 100K



LA42DWQ 470K