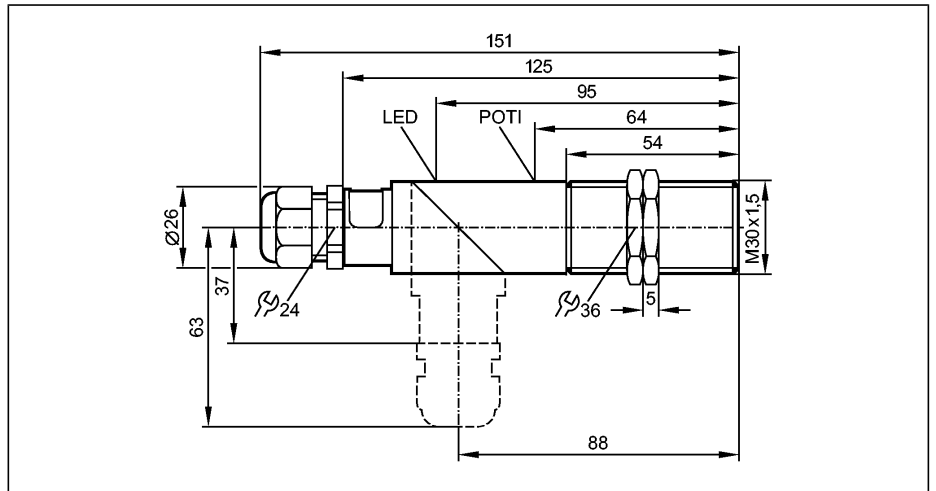


Capacitive sensors

KI5065

KIE3015-FPKG/NI/3D
 Capacitive sensor
 Plastic thread M30 x 1.5
 Terminals
 ATEX approval
 Group II, category 3D
 Increased immunity to conducted radio frequency interference

Sensing range 15 mm [nf]
 adjustable
 non-flush mountable




Made in Germany

Electrical design
Output

Operating voltage	[V]
Current rating	[mA]
Short-circuit protection	
Reverse polarity protection	
Overload protection	
Voltage drop	[V]
Current consumption	[mA]
Real sensing range	[mm]
Switch-point drift	[% of Sr]
Hysteresis	[% of Sr]
Switching frequency	[Hz]
Correction factors	
Ambient temperature	[°C]
Protection	
EMC	
Marking of the unit	
Housing materials	
Function display	
Switching status	LED
Connection	
Tightening torque for cable gland	[Nm]
Weight	[kg]
Remarks	
Accessories (included)	

DC PNP
normally open / closed programmable

Operating voltage	10...30 DC *)
Current rating	250
Short-circuit protection	pulsed
Reverse polarity protection	yes
Overload protection	yes
Voltage drop	< 2.5
Current consumption	A: < 4 (24 V) / < 7.5 (55 V) / B: < 14 (24 V) / < 17.5 (55 V) ***)
Real sensing range	15 ± 10 %
Switch-point drift	-15...15
Hysteresis	1...15
Switching frequency	10
Correction factors	water = 1 / glass approx. 0.4 / ceramics approx. 0.2 / PVC approx. 0.2
Ambient temperature	-20...60 **)
Protection	IP 54 ****), II
EMC	IEC 60947-5-2: 2007
Marking of the unit	 II 3D Ex tD A22 IP54 T80°C X
Housing materials	PBT; PA
Function display	
Switching status	yellow
Connection	terminals up to 2.5 mm ² ; cable diameter 5.5...13 mm, cable gland M20 x 1.5
Tightening torque for cable gland	
Weight	0.16
Remarks	*) 10...55 V DC when used outside the hazardous area **) -25...80 °C when used outside the hazardous area ***) A = not switched / B = switched *****) IP 65 outside hazardous areas Special conditions for safe operation apply for use in hazardous areas. Observe the corresponding notes in the operating instructions (Ex protection related part).
Accessories (included)	2 lock nuts, screwdriver

KI5065

Wiring

