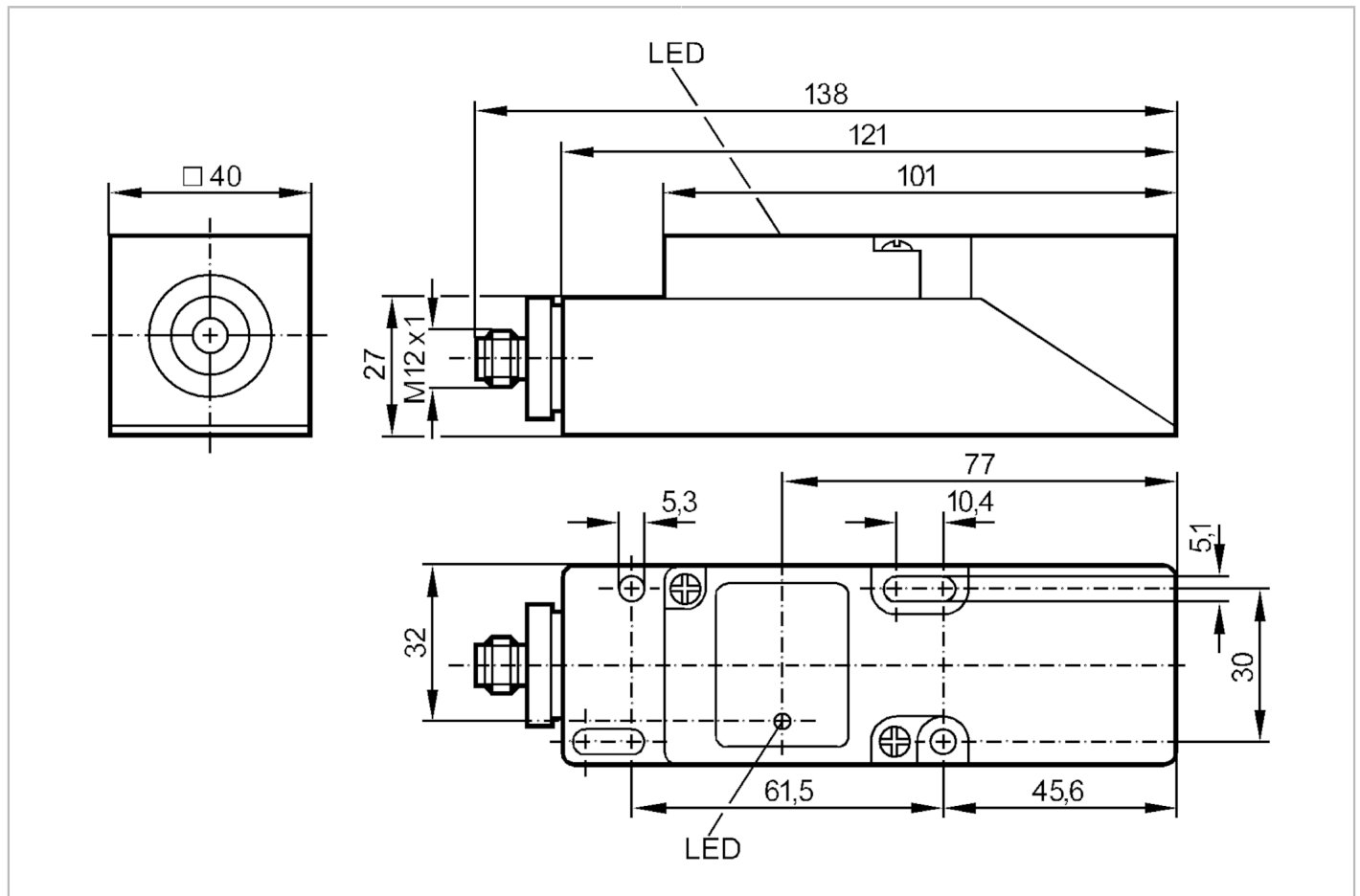


# IM5044



## Inductive sensor

IME3020-FPKG/US-100-DPX



Made in Germany

### Electrical data

Operating voltage	[V]	10...36 DC
Current consumption	[mA]	5; (24 V)
Protection class		II
Reverse polarity protection		yes

### Outputs

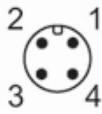
Output function		normally open / normally closed; (selectable)
Max. voltage drop switching output DC	[V]	2.5
Permanent current rating of switching output DC	[mA]	250
Switching frequency DC	[Hz]	350
Electrical design		PNP
Short-circuit protection		yes
Type of short-circuit protection		pulsed
Overload protection		yes

# IM5044



## Inductive sensor

IME3020-FPKG/US-100-DPX

Range		
Sensing range	[mm]	20
Real sensing range Sr	[mm]	20 ± 10 %
Operating distance	[mm]	0...16.2
Accuracy / deviations		
Correction factor		steel: 1 / stainless steel: 0.7 / brass: 0.4 / aluminium: 0.3 / copper: 0.2
Hysteresis	[% of Sr]	1...15
Switch point drift	[% of Sr]	-10...10
Operating conditions		
Ambient temperature	[°C]	-25...80
Protection		IP 67
Tests / approvals		
EMC	EN 60947-5-2	
	EN 55011	class B
MTTF	[years]	1727
Mechanical data		
Weight	[g]	185.2
Housing		rectangular
Mounting		non-flush mountable
Dimensions	[mm]	40 x 40 x 120
Materials		PPE
Displays / operating elements		
Display	switching status	1 x LED, yellow
Remarks		
Remarks		5 positions of the active zone possible Cut link to program as normally closed.
Pack quantity		1 pcs.
Electrical connection - plug		
Connector: 1 x M12		
		

# IM5044



## Inductive sensor

IME3020-FPKG/US-100-DPX

### Connection

