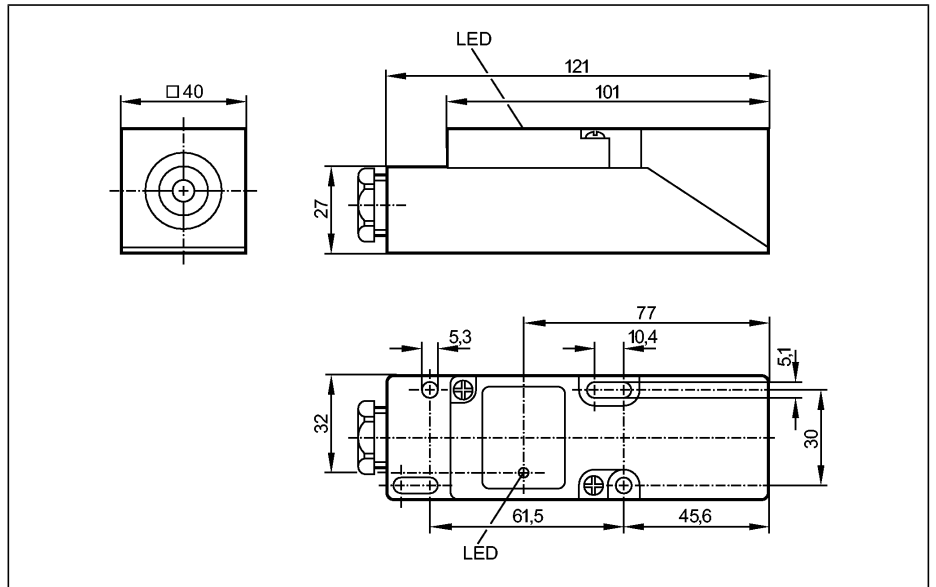


Inductive sensors

IM5020

IME3015BFPKG
Inductive sensor
Rectangular, plastics
Terminals

Sensing range 15 mm [f]
flush mountable



Made in Germany

Electrical design	DC PNP
Output	normally open / closed programmable
Operating voltage [V]	10...36 DC
Current rating [mA]	250
Short-circuit protection	pulsed
Reverse polarity protection	yes
Overload protection	yes
Voltage drop [V]	< 2.5
Current consumption [mA]	< 15 (24 V)
Real sensing range (Sr) [mm]	15 ± 10 %
Operating distance [mm]	0...12.1
Switch-point drift [% of Sr]	-10...10
Hysteresis [% of Sr]	1...15
Switching frequency [Hz]	350
Correction factors	mild steel = 1 / stainless steel approx. 0.7 / brass approx. 0.4 / Al approx. 0.3 / Cu approx. 0.2
Ambient temperature [°C]	-25...80
Protection	IP 65, II
EMC	EN 60947-5-2
MTTF [Years]	2234
Housing materials	PPE
Function display	
Switching status LED	yellow
Connection	terminals up to 2.5 mm ² ; cable diameter 7...13 mm, cable gland M20 x 1.5
Weight [kg]	0.188

Wiring

