

# AC axial fan

Series 7000 150 x 172 x 38 mm

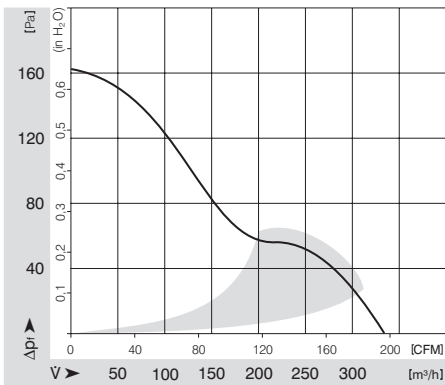


- **General description:** AC motor with external rotor capacitor motor
- **Impeller material:** Metal
- **Housing material:** Metal

Nominal data		Voltage	Frequency	Air flow	Speed	Power consumption	Sound level	Sound pressure level	Ambient temperature	L10 service life at 40 °C	L10 service life at max. temp.	Weight
Type	Motor	VAC	Hz	m³/h	1/min	W	Bel	dB(A)	°C	h	h	kg
7056 ES	--	230	50	330	2800	29.0	6.4	52	-30 .. 65	60000	32000	0.900

Subject to modification Minimum operating temperature -15 °C. -30 °C for short periods; without condensation.

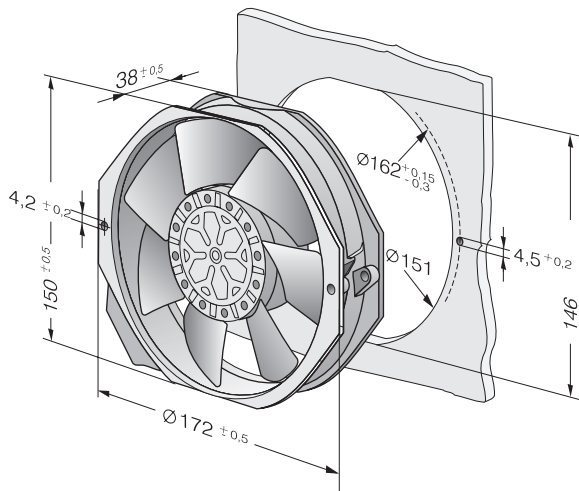
## Characteristic: Pressure over air flow



# AC axial fan

Series 7000 150 x 172 x 38 mm

## Specific drawing



## Technical description

- **General description:** AC motor with external rotor capacitor motor
- **Housing material:** Metal
- **Direction of rotation:** Right, looking at rotor
- **Electrical connection:** 2 flat plugs 2.8 x 0.5 mm. Housing with grounding lug and tapping screw M4 x 6 (TORX).
- **Approvals:** VDE, CSA, UL, CE

- **Impeller material:** Metal
- **Bearings:** Ball bearings
- **Direction of flow:** Air exhaust over bars
- **Motor protection:** Protected from overload by a thermal switch

## Contact

ebm-papst St. Georgen GmbH & Co. KG  
Hermann-Papst-Straße 1  
D-78112 St. Georgen  
Phone +49 (0) 7724 / 81-0  
Fax +49 (0) 7724 / 81-1309  
info2@de.ebmpapst.com  
www.ebmpapst.com