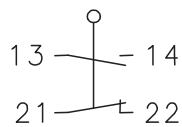


## Rope pull switch Series SD

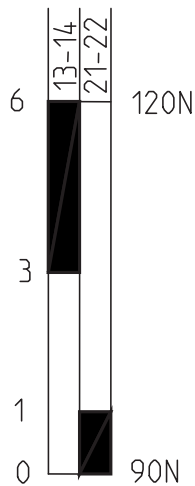
Description **SD-U1 W**



Article number **6111411075**

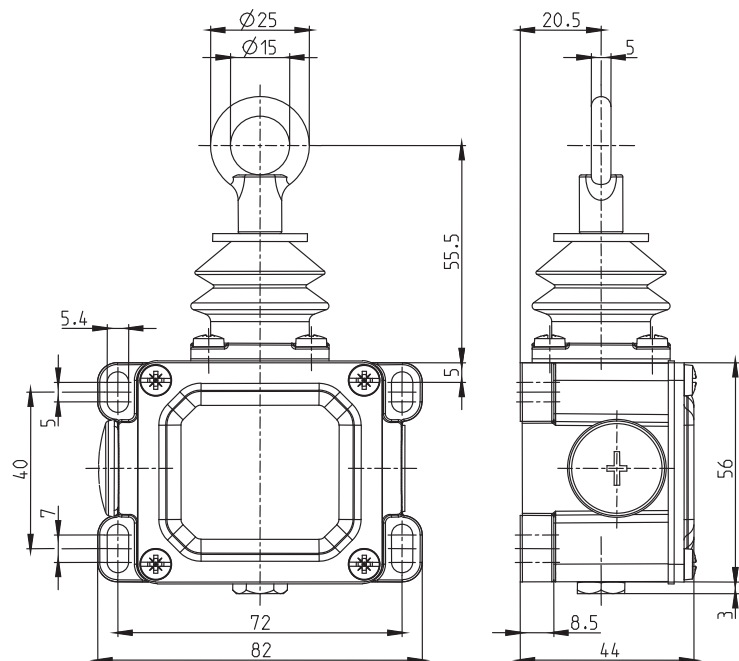
### Operating symbol



### Operating diagram (pretensioned installation)



 On  
 Off  
 Tolerance:  
 tensile force:  $\pm 15\%$



### Electrical Data

Rated insulation voltage	$U_i$	400 V AC
Conv. thermal current	$I_{th}$	16 A
Rated operational voltage	$U_e$	240 V
Utilization category		AC-15, $U_e/I_e$ 240 V / 10 A
Short-circuit protective device		Fuse 10 A gG, 16 A gG
Protection class		I

Mechanical data	
Enclosure	Al-die cast
Cover	Al-plate
Actuator	Pull ring (Zn-die cast)
Ambient air temperature	-30° C ... +80° C
Contact type	1 NC, 1 NO (Za)
Mechanical life	1 x 10 <sup>6</sup> operating cycles
Switching frequency	≤ 20 / min.
Assembly	4 x M5
Connection	4 screw connections (M4)
Conductor cross-sections	Solid: 0,5 ... 1,5 mm <sup>2</sup> or Litz wire with ferrules: 0,5 ... 1,5 mm <sup>2</sup>
Cable entrance	2 x M20 x 1,5
Weight	≈ 0,36 kg
Installation position	operator definable
Protection type	IP65 acc. to IEC/EN 60529

Standards	
	VDE 0660 T100, DIN EN 60947-1, IEC 60947-1
	VDE 0660 T200, DIN EN 60947-5-1, IEC 60947-5-1

EU Conformity	
	acc. to directive 2006/95/EC

Approvals	
	cCSA <sub>US</sub> A300 (same polarity)

Notes	
The degree of protection (IP code) specified applies solely to a property closed cover and the use of an equivalent cable gland with adequate cable.	