

DIAZED FUSE LINK 500V TIME-LAG TNDZ SERIES
 SIZE DII, THREAD E16, 2A



Figure similar

| Model | | |
|--|----|---------------------------------|
| product brand name | | SETRON |
| Product designation | | DIAZED fuse |
| Design of the product | | For cable and line protection |
| Design of the fuse link | | DIAZED fuse link |
| General technical data | | |
| Tripping characteristic class | | time-lag (T) |
| Size of fuse system / acc. to DIN EN 60269-1 | | NDz |
| Operating class of the fuse link | | gG |
| circuit-breaker / Design | | 5SA2 |
| Supply voltage | | |
| • at AC / Rated value | V | 500 |
| • at DC | V | 500 |
| Protection class | | |
| Protection class IP | | IP20, with connected conductors |
| Switching capacity | | |
| Switching capacity current | | |
| • at DC / acc. to IEC 60947-2 / Rated value | kA | 1.6 |

• acc. to IEC 60947-2 / Rated value

kA 40

Dissipation

Active power loss

• for rated value of the current / at AC / in hot operating state / per pole

W 0.85

Electricity

rated current I_n / IEC, DIN/VDE / at 40 Cel

A 1.9

Current / at AC / Rated value

A 2

Appearance

Color coding of the fuse link

pink

Product details

Product description

Using screw adapter or adapter sleeves

Mechanical Design

mounting position

Any, preferably vertical

Net weight

g 9

Environmental conditions

Ambient temperature

- minimum
- maximum
- during storage / Note

°C -5
°C 40

Air humidity 90% at 20 °C

Environmental category

Up to 45°C at 95 % rel. humidity

Equipment marking

- acc. to DIN EN 61346-2
- acc. to DIN EN 81346-2

F
F

General Product Approval

Declaration of
Conformity

other



[Umweltbestätigung](#)

Further information

Information- and Downloadcenter (Catalogs, Brochures,...)

<http://www.siemens.com/lowvoltage/catalogs>

Industry Mall (Online ordering system)

<https://eb.automation.siemens.com/mall/en/WW/Catalog/Product/5SA211>

Service&Support (Manuals, Certificates, Characteristics, FAQs,...)

<http://support.automation.siemens.com/WW/view/en/5SA211/all>

Image database (product images, 2D dimension drawings, 3D models, device circuit diagrams, ...)

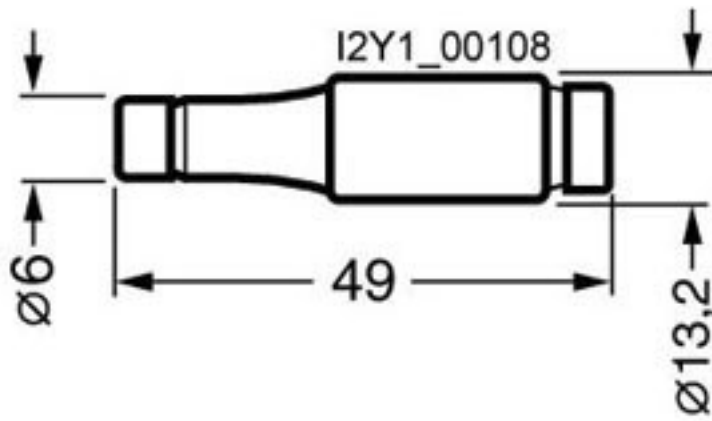
http://www.automation.siemens.com/bilddb/cax_en.aspx?mfb=5SA211

CAX-Online-Generator

<http://www.siemens.com/cax>

Tender specifications

<http://ausschreibungstexte.siemens.com/tiplv>



last modified:

24.07.2015