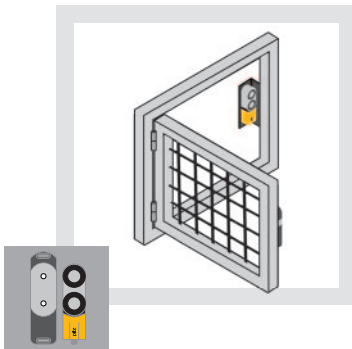


PSEN sl-1.0p



PSEnslock safety gate systems – for safety gate monitoring.

Technical features

PSEN sl-0.5p

Electrical data

- ▶ Holding force at 24 V/25 °C 500 N
- ▶ Power consumption (gate locked) 4.8 W

Safety guard locking device dimensions in mm (H x W x D)

- ▶ 122 x 45 x 44

Actuator dimensions in mm (H x W x D)

- ▶ 138 x 52 x 24

PSEN sl-1.0p

Electrical data

- ▶ Holding force at 24 V/25 °C 1000 N
- ▶ Power consumption (gate locked) 7.2 W

Safety guard locking device dimensions in mm (H x W x D)

- ▶ 172 x 45 x 44

Actuator dimensions in mm (H x W x D)

- ▶ 188 x 52 x 22

Common features of PSEN sl-0.5p/PSEN sl-1.0p

Electrical data

- ▶ Supply voltage 24 VDC
- ▶ Voltage tolerance -15 ... +10 %
- ▶ Safety outputs 2
(semiconductor outputs, short circuit proof, 500 mA)
- ▶ Signal output 1
(semiconductor outputs, short circuit proof, 500 mA)

Mechanical data

- ▶ Vertical or lateral offset +/-3 or +/-5 mm
- ▶ Connection type 8-pin M12 male connector
- ▶ Protection type IP67

Series connection

- ▶ In combination with PSEnslock, PSENsgate, PSENcode up to PL e/Cat. 4, SIL 3 and Cat. 4

Order numbers

PSEN sl-0.5p

PSEN sl-1.0p

Safety gate system incl. actuator

- ▶ PSEN sl-0.5p 1.1 unit (coded) 570 500
- ▶ PSEN sl-0.5p 2.1 unit (fully coded) 570 501
- ▶ PSEN sl-0.5p 2.2 unit (unique, fully coded) 570 502
- ▶ PSEN sl-1.0p 1.1 unit (coded) 570 600
- ▶ PSEN sl-1.0p 2.1 unit (fully coded) 570 601
- ▶ PSEN sl-1.0p 2.2 unit (unique, fully coded) 570 602

Safety gate system without actuator

- ▶ PSEN sl-0.5p 1.1 (coded) 570 510
- ▶ PSEN sl-0.5p 2.1 (fully coded) 570 511
- ▶ PSEN sl-1.0p 1.1 (coded) 570 610
- ▶ PSEN sl-1.0p 2.1 (fully coded) 570 611

Actuator

- ▶ PSEN sl-0.5p 1.1 (coded) 570 520
- ▶ PSEN sl-0.5p 2.1 (fully coded) 570 521
- ▶ PSEN sl-1.0p 1.1 (coded) 570 620
- ▶ PSEN sl-1.0p 2.1 (fully coded) 570 621

Accessories for PSEN sl-0.5p and PSEN sl-1.0p

- ▶ PSEN sl bracket, standard mounting bracket (folding gate) 570 550
- ▶ PSEN sl bracket, standard mounting bracket (sliding gate) 570 551