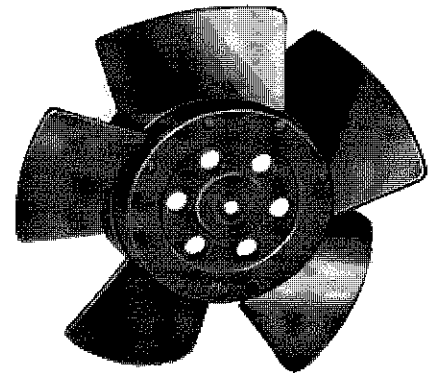


4656 EZ

AC Axial Fan

Axial fan for AC operation without housing, for special applications. Driven by shaded-pole external rotor motor. External rotor dynamically balanced in two planes. 5 fan blades made of sheet steel directly welded to the rotor.



Features

- Overload protection (impedance protected).
- For maintenance-free continuous operation.
- Any mounting position.

The air flow and noise level of fans without external housing depends on the installation conditions. The stated air flow and noise has been measured with an orifice 109 mm Ø at a distance of approx. 17 mm from mounting bracket.

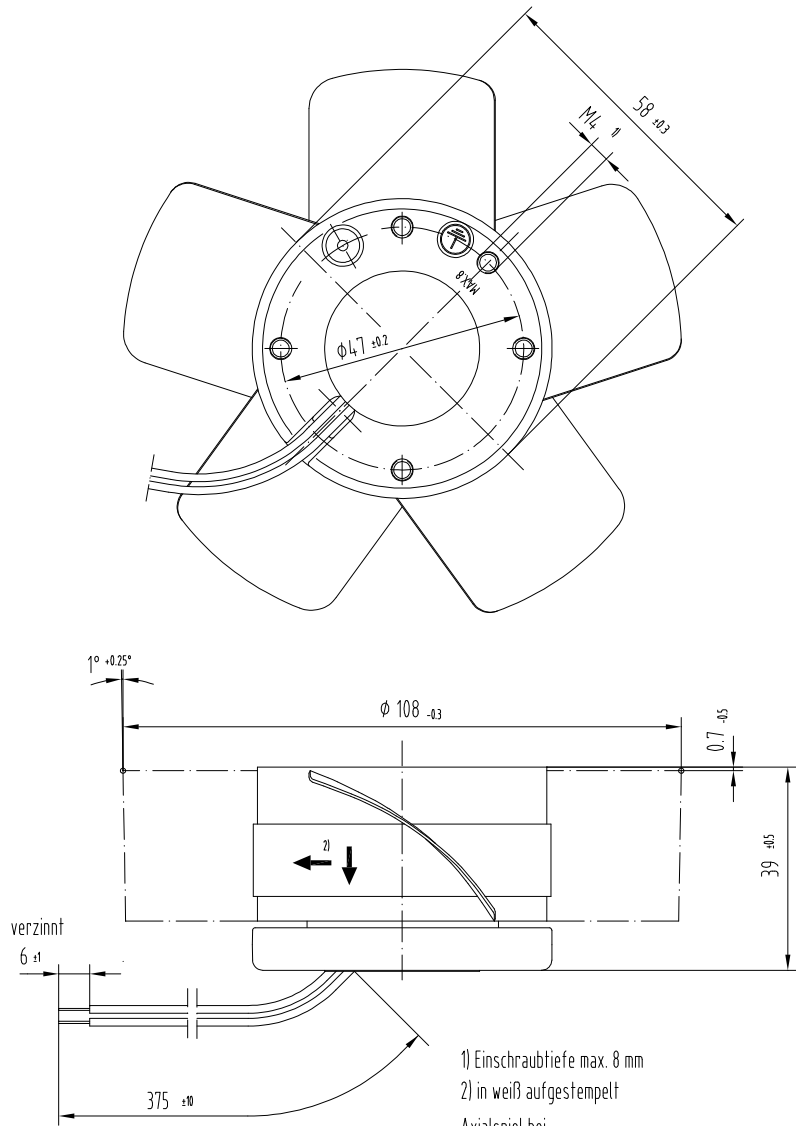
General Data

Nominal voltage	V	230	
Frequency	Hz	50	60
Nominal speed	min ⁻¹	2600	2950
Max. flow rate	m ³ /h	125	140
Max. flow rate	CFM	73,7	82,5
Noise free air	dB(A)	42	45
Power consumption	W	19	18
Perm. ambient temperature	°C	-40 ... +65	-40 ... +65
Service life at T _{max}	h		20.000
Service life at 40 °C	h	37.500	40.000
Impeller			Metal
Bearing system			Ball bearings
Mass	kg		0,38

All data are average figures at nominal voltage.

Subject to technical change.

Patents granted or applied for.



- 1) Einschraubtiefe max. 8 mm
 - 2) in weiß aufgestempelt
- Axialspiel bei
- Kugellagerung (K): 0 (mit Federausgleich)
 - Gleitlagerung (G): 0.1 - 0.6

084
210
232
235
240
516

Allgemeintoleranzen				gilt für:		924 4014 942 (K) 4.656 EZ		Artikel	Maßstab
DIN 2768 - mK						924 4014 945 (K) 4.656 EZR			
						924 4014 951 (G) 4.580 EZ-951		Axiallüfter	1:1
						924 4014 007 (K) 4.656 EZU			
				Datum	Name				
				Erstellt	01.09.95	Kienerger			
				Geprüft	29.04.96	Wrobel G.			
a	Ergänzung	25.03.97	Koletzki M.	PAPST		Zchg.-Nr.	924 4014 942		Blatt 2
Index	And.-Nr.	Datum	Geändert von	PAPST-MOTOREN GmbH & Co KG					
Zur Verwendung im Verteiler freigegeben				D-78112 St. Georgen					
von Koletzki M. am 25.03.97				Germany		Ers.f.Zchg.:	K \ 924\4014\ 942-2.DWG		