

**Professionally approved products.**

## Datasheet

# 24Vdc Panel Mount 95db Piezo Buzzer

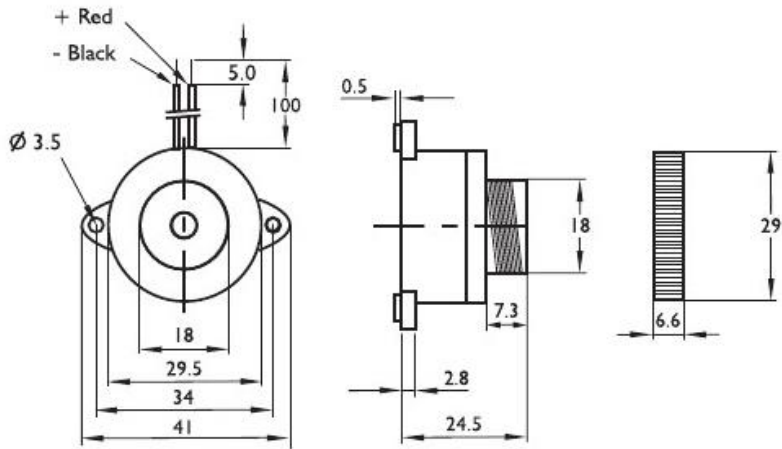
RS Stock number [457-027](#)



### Specifications:

Rated voltage:	24VDC
Operating voltage	1.5-28VDC
Rated current:*	≤20mA
Sound output at 30cm:*	≥95dB
Resonant frequency:	3500±500Hz
Tone:	Continuous
Operating temperature:	-20°C+60°C
Storage temperature:	-20°C+70°C
Weight:	15g
Drive Type:	Internal
Leads:	Flying lead connections

\*Value applying at rated voltage (DC)

**Dimensions:**


Dimensions Unit: mm

 Tolerance:  $\pm 0.5\text{mm}$