

- NEW -



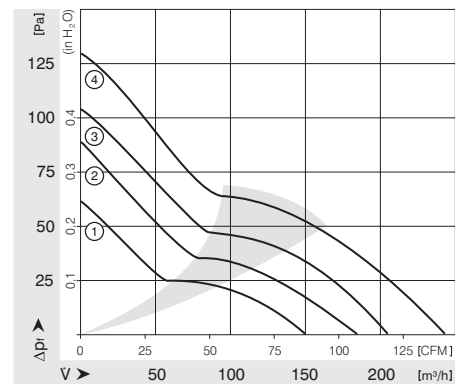
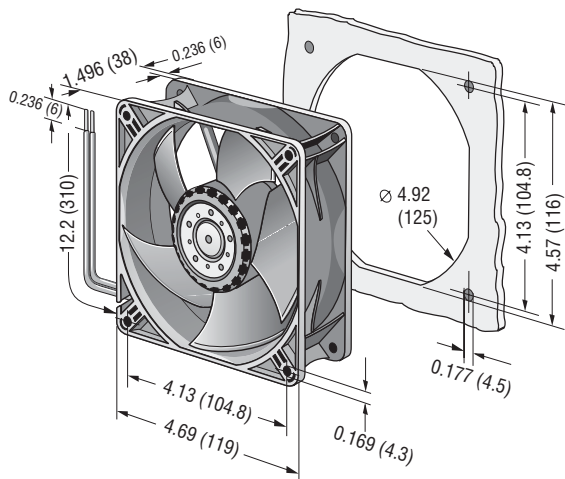
4400 Series

Tubeaxial

119x119x38mm

- DC fans with electronically commutated external rotor motor. Fully integrated commutation electronics.
- With electronic protection against reverse polarity, locked rotor and overloading.
- Innovative impeller design with winglets.
- Fan of fiberglass reinforced plastic. PBTP housing, PBT impeller.
- Air exhaust over struts. Rotational direction CW looking at rotor.
- Electrical connection via 2 leads AWG 22, TR 64. Stripped and tinned ends.
- UL, CSA, VDE approvals on some models, please contact application engineering.

Part Number	Curve	CFM @ 0	VDC	Volt. Range	Power (W)	dBA	Max Amb. Temp C	Bearing Type	Features	Wgt. (lbs)
4412L	1	88.3	12	7 to 14	2.5	37	70	Ball	Leads	0.51
4412M	2	108.3	12	7 to 14	4.2	42	70	Ball	Leads	0.51
4412N	3	120.7	12	7 to 14	5.5	46	70	Ball	Leads	0.51
4412H	4	141.3	12	7 to 14	8.9	49	70	Ball	Leads	0.51
4414L	1	88.3	24	18 to 28	2.5	37	70	Ball	Leads	0.51
4414M	2	108.3	24	18 to 28	4.0	42	70	Ball	Leads	0.51
4414N	3	120.7	24	18 to 28	5.2	46	70	Ball	Leads	0.51
4414H	4	141.3	24	18 to 28	8.6	49	70	Ball	Leads	0.51
4418L	1	88.3	48	36 to 60	2.5	37	70	Ball	Leads	0.51
4418M	2	108.3	48	36 to 60	4.2	42	70	Ball	Leads	0.51
4418N	3	120.7	48	36 to 60	5.2	46	70	Ball	Leads	0.51
4418H	4	141.3	48	36 to 60	8.6	49	70	Ball	Leads	0.51



ebmpapst

e-mail: sales@us.ebmpapst.com · TEL: 860-674-1515 · FAX: 860-674-8536

ebm-papst Inc., 100 Hyde Road, Farmington, CT 06034 USA

ebm-papst Inc., 2006 © ebm-papst Inc. reserves the right to change any specifications or data without notice