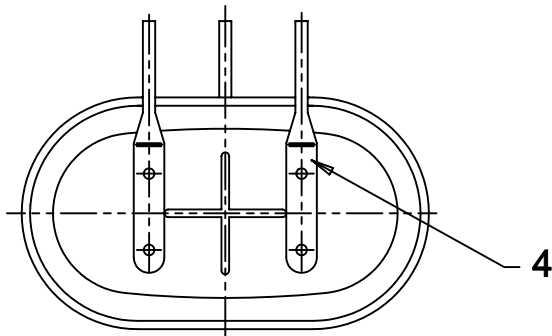
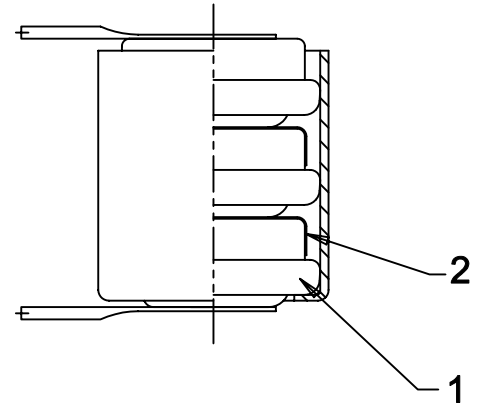
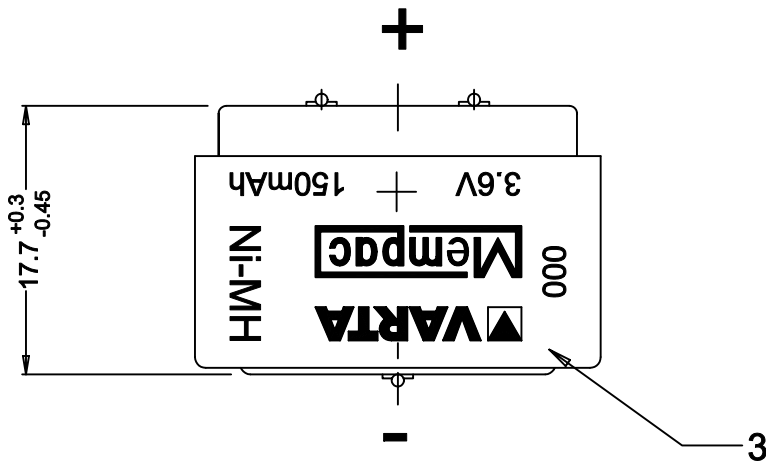
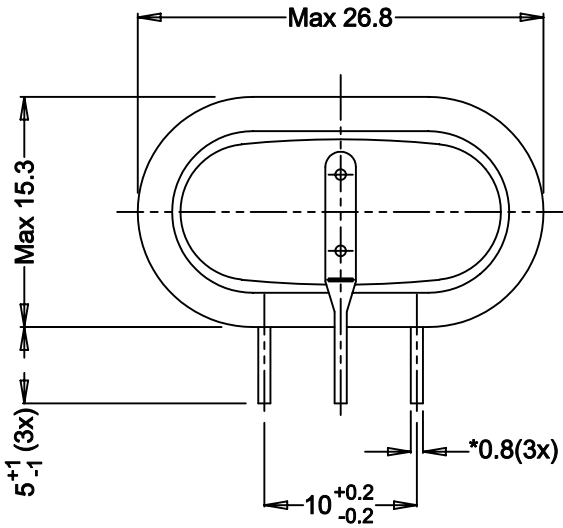


**This is a controlled document.**  
 Hardcopy to be endorsed by authorized person.  
 Check with Issuing Office or SAP system for latest update.



Note: \*Dimensions for reference only

Approx. wt : 15 g

No.	Alterations:	Date:	Name:	Dimensions in mm			Material:
1	AO R36/03; Terminal pin change to use Flatten model	2002-08-22	TitisWS	Tolerance: As specified			Refer to part list no: 063706
2	AO R001/04; Change code from 4 digit to 3 digit	2004-01-02	Tutik	Projection:			
				Scale: 2 : 1			Description:  <b>3V150H battery</b> with casing & terminal pin
				Loc. : 1	Date:	Name:	
				Prepared:	2001-01-31	Yeni	
				Approved:			
RIGHTS RESERVED TO MAKE TECHNICAL CHANGES, AS A RESULT OF FURTHER DEVELOPMENT, WITHOUT NOTICE. THIS DRAWING IS THE PROPERTY OF VARTA BATTERIES PTE LTD AND MUST NOT BE COPIED OR DISCLOSED TO A THIRD PARTY WITHOUT THE WRITTEN CONSENT OF VARTA BATTERIES PTE LTD.							Dwg. No: 063706
							VKB Order No: 55615 603 940
							Released : 2000-08-09