

SITOR FUSE-LINK UTILIZ. CATEGORY GS,  
DIN 43620 100A , AC 690 V ,(SIZE 00)



Similar to image

**Technical data:**

<b>Current / for AC / rated value</b>	A	100
<b>Operating class of the fuse link</b>		gS
<b>Size of the fallback-system / acc. to DIN EN 60269-1</b>		NH00
<b>Supply voltage</b>		
• for AC / rated value	V	690
• for DC	V	250
<b>Switching capacity current</b>		
• in accordance with IEC 60947-2 / rated value	kA	71
<b>Design of an identification indicator</b>		others
<b>Ambient temperature</b>	°C	-20 ... +50
<b>Varying load factor (WL)</b>		1

**Certificates/approvals:**

General Product Approval

Declaration of Conformity



CQC

[ROSTEST](#)



UL

[Manufacturer](#)

**Further information:**

Information- and Downloadcenter (Catalogs, Brochures,...)

<http://www.siemens.com/lowvoltage/catalogs>

Industry Mall (Online ordering system)

<http://www.siemens.com/lowvoltage/maill>

Service&Support (Manuals, Certificates, Characteristics, FAQs,...)

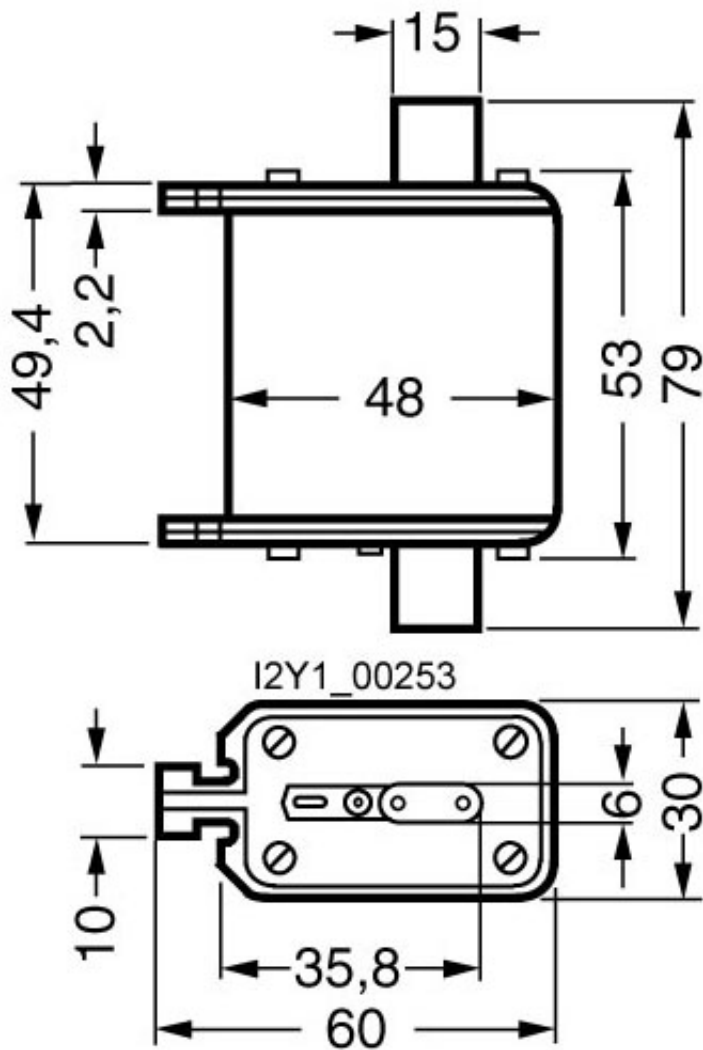
<http://support.automation.siemens.com/WW/view/en/3NE1021-0/all>

Image database (product images, 2D dimension drawings, 3D models, device circuit diagrams, ...)

[http://www.automation.siemens.com/bilddb/cax\\_en.aspx?mlfb=3NE1021-0](http://www.automation.siemens.com/bilddb/cax_en.aspx?mlfb=3NE1021-0)

CAX-Online-Generator

<http://www.siemens.com/cax>



last change:

Mar 10, 2012