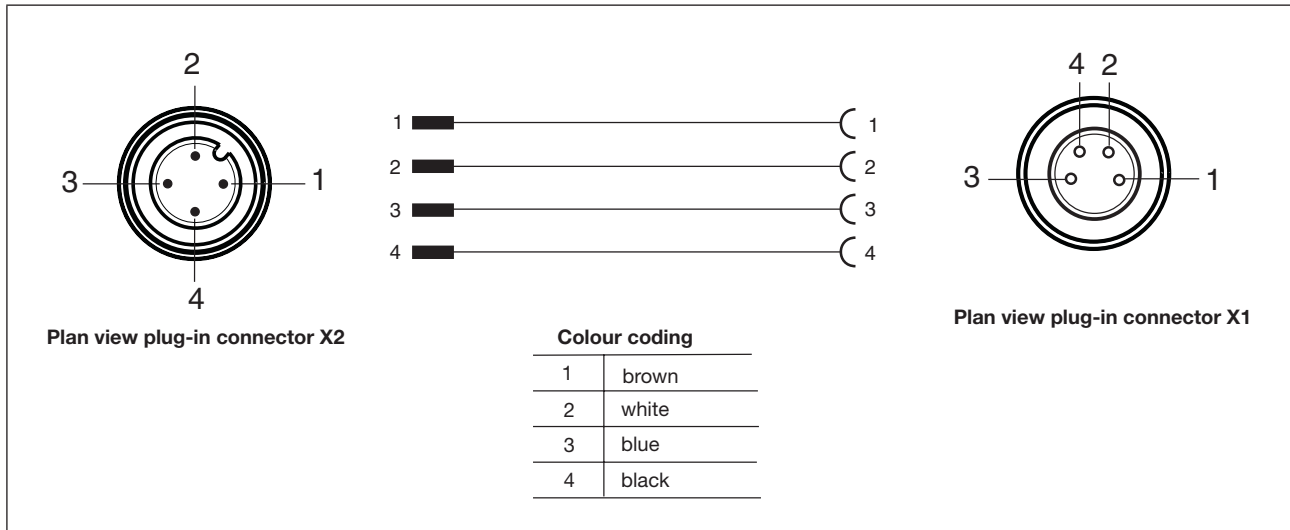


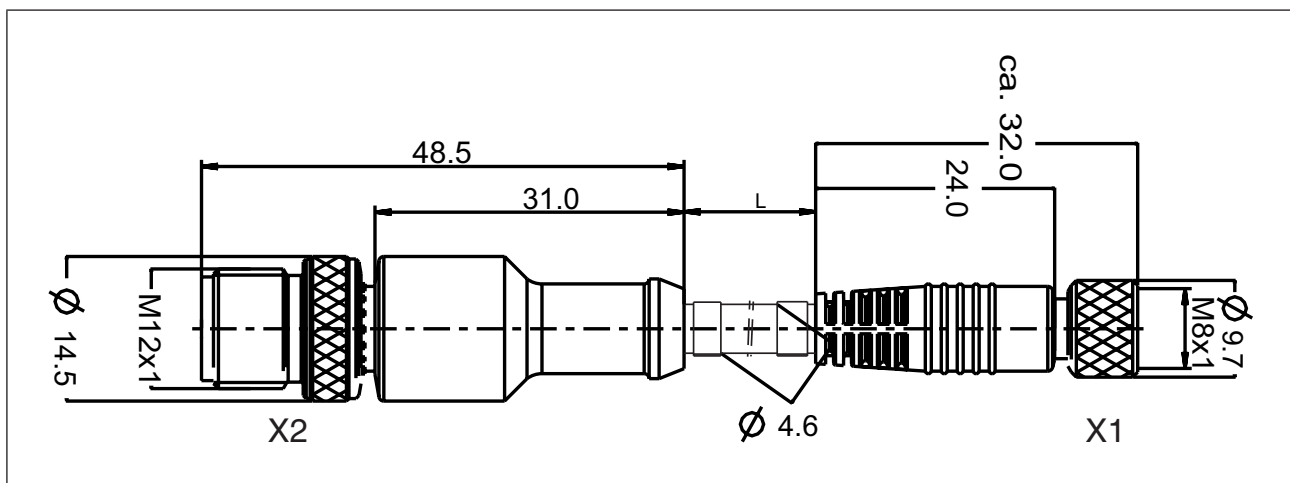
PSS67/PDP67 Cable M8-M12 4p

Connector pin assignment



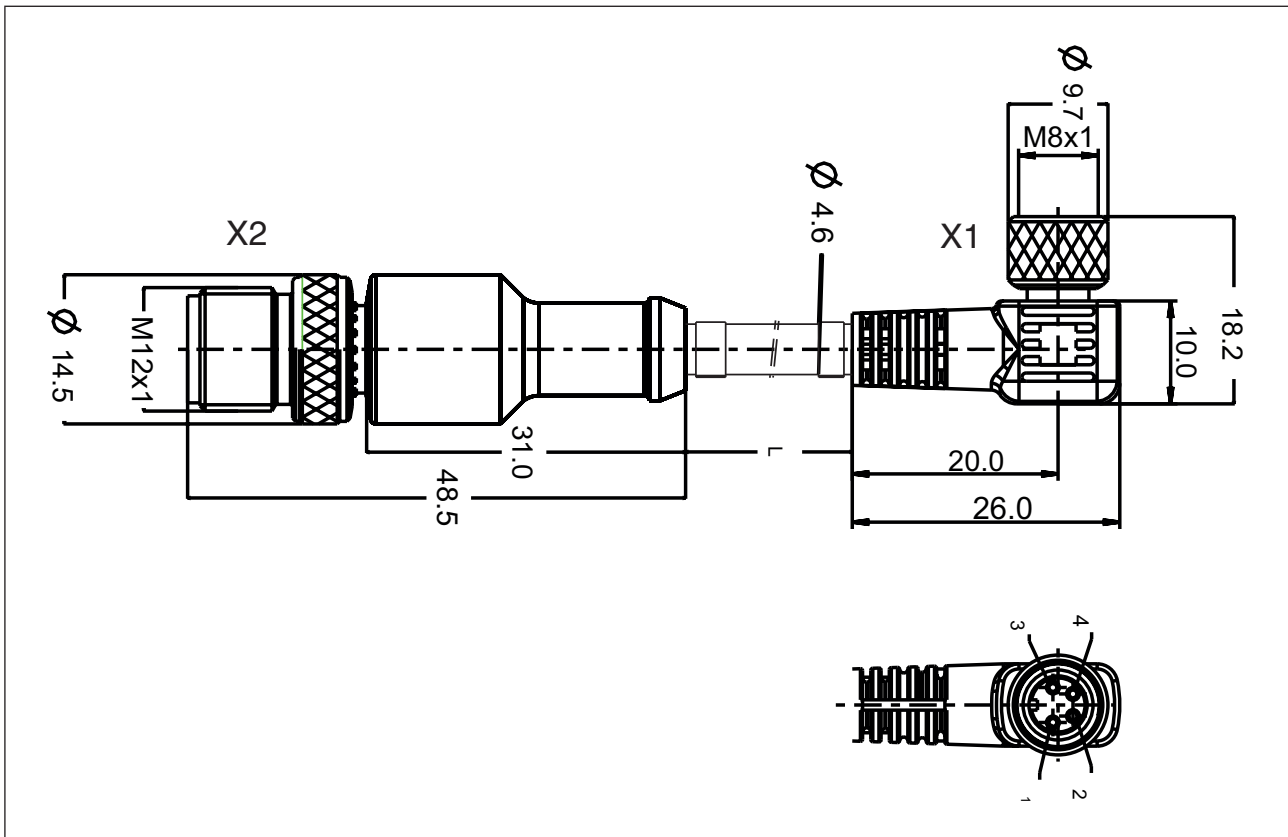
Dimensions

► M12 male connector, straight – M8 female connector, straight:



PSS67/PDP67 Cable M8-M12 4p

- ▶ M12 male connector, straight – M8 female connector, angled:



Technical details

Order no. 380200 – 380203

See below for more order numbers

Electrical data	380200	380201	380202	380203
Rated voltage UB	30 V	30 V	30 V	30 V
Conductor resistance	79 Ohm/km	79 Ohm/km	79 Ohm/km	79 Ohm/km
Insulation resistance	100 MOhm	100 MOhm	100 MOhm	100 MOhm
Test voltage	3.000 V	3.000 V	3.000 V	3.000 V
Specific cable capacitance	64,6pF/m	64,6pF/m	64,6pF/m	64,6pF/m
Volume resistance	3 mOhm	3 mOhm	3 mOhm	3 mOhm
Specific volume resistance	$\geq 7E+15$ Ohm*cm	$\geq 7E+15$ Ohm*cm	$\geq 7E+15$ Ohm*cm	$\geq 7E+15$ Ohm*cm
Rated current	4,0 A	4,0 A	4,0 A	4,0 A

PSS67/PDP67 Cable M8-M12 4p

Environmental data		380200	380201	380202	380203
Ambient temperature					
Temperature range		-25 - 80 °C	-25 - 80 °C	-25 - 80 °C	-25 - 80 °C
Airgap creepage					
Pollution degree		3	3	3	3
Mechanical data		380200	380201	380202	380203
Plug connector X1		M8, 4-pin female connector	M8, 4-pin female connector	M8, 4-pin female connector	M8, 4-pin female connector
In accordance with the standard		EN 61076-2-104	EN 61076-2-104	EN 61076-2-104	EN 61076-2-104
Form, plug connector X1		Straight	Straight	Straight	Straight
Plug connector X2		M12, 4-pin male connector	M12, 4-pin male connector	M12, 4-pin male connector	M12, 4-pin male connector
In accordance with the standard		EN 61076-2-101	EN 61076-2-101	EN 61076-2-101	EN 61076-2-101
Form, plug connector X2		Straight	Straight	Straight	Straight
Material of ring nut X1		CuZn	CuZn	CuZn	CuZn
Material of ring nut X2		CuZn	CuZn	CuZn	CuZn
Housing material X1		PUR	PUR	PUR	PUR
Housing material X2		PUR	PUR	PUR	PUR
Material of contact surface		Au	Au	Au	Au
Pin material		CuZn	CuZn	CuZn	CuZn
Socket material		CuSn	CuSn	CuSn	CuSn
Conductor material		Cu	Cu	Cu	Cu
Insulating cover for conductor		PP (9Y)	PP (9Y)	PP (9Y)	PP (9Y)
Mating cycles X1		100	100	100	100
Mating cycles X2		100	100	100	100
Cable type		LiF9Y11Y	LiF9Y11Y	LiF9Y11Y	LiF9Y11Y
Cable length L		3,00 m	5,00 m	10,00 m	30,00 m
Colour of external cable insulation		Yellow, similar to RAL1003	Yellow, similar to RAL1003	Yellow, similar to RAL1003	Yellow, similar to RAL1003
Min. bending radius (for laying)		5 x Ø	5 x Ø	5 x Ø	5 x Ø
Min. bending radius (for constant movement)		10 x Ø	10 x Ø	10 x Ø	10 x Ø
Cable insulation material		PUR, TPU / TPE-U	PUR, TPU / TPE-U	PUR, TPU / TPE-U	PUR, TPU / TPE-U

PSS67/PDP67 Cable M8-M12 4p

Mechanical data	380200	380201	380202	380203
Suitable for drag chains	No	No	No	No
Cable diameter	4,60 mm	4,60 mm	4,60 mm	4,60 mm
Cable cross section	0,25 mm ²	0,25 mm ²	0,25 mm ²	0,25 mm ²
Cable cross section AWG	24	24	24	24
Wire colour	Brown, white, blue, black	Brown, white, blue, black	Brown, white, blue, black	Brown, white, blue, black
Stranding	4 cores	4 cores	4 cores	4 cores
Shielding	No	No	No	No
Wire layer separation	No	No	No	No
No. of wires	4	4	4	4
Cable approval	UL AWM-Style 20233, UL/CSA	UL AWM-Style 20233, UL/CSA	UL AWM-Style 20233, UL/CSA	UL AWM-Style 20233, UL/CSA
Protection type				
X1 when inserted	IP67	IP67	IP67	IP67
X2 when inserted	IP67	IP67	IP67	IP67
Housing	IP67	IP67	IP67	IP67
Material				
Housing	PUR	PUR	PUR	PUR
Weight	111 g	180 g	323 g	997 g

Order no. 380204 – 380207

Electrical data	380204	380205	380206	380207
Rated voltage UB	30 V	30 V	30 V	30 V
Conductor resistance	79 Ohm/km	79 Ohm/km	79 Ohm/km	79 Ohm/km
Insulation resistance	100 MOhm	100 MOhm	100 MOhm	100 MOhm
Test voltage	3.000 V	3.000 V	3.000 V	3.000 V
Specific cable capacitance	64,6pF/m	64,6pF/m	64,6pF/m	64,6pF/m
Volume resistance	3 mOhm	3 mOhm	3 mOhm	3 mOhm
Specific volume resistance	>= 7E+15 Ohm*cm	>= 7E+15 Ohm*cm	>= 7E+15 Ohm*cm	>= 7E+15 Ohm*cm
Rated current	4,0 A	4,0 A	4,0 A	4,0 A

PSS67/PDP67 Cable M8-M12 4p

Environmental data		380204	380205	380206	380207
Ambient temperature					
Temperature range		-25 - 80 °C	-25 - 80 °C	-25 - 80 °C	-25 - 80 °C
Airgap creepage					
Pollution degree		3	3	3	3
Mechanical data		380204	380205	380206	380207
Plug connector X1		M8, 4-pin female connector	M8, 4-pin female connector	M8, 4-pin female connector	M8, 4-pin female connector
In accordance with the standard		EN 61076-2-104	EN 61076-2-104	EN 61076-2-104	EN 61076-2-104
Form, plug connector X1		Angled	Angled	Angled	Angled
Plug connector X2		M12, 4-pin male connector	M12, 4-pin male connector	M12, 4-pin male connector	M12, 4-pin male connector
In accordance with the standard		EN 61076-2-101	EN 61076-2-101	EN 61076-2-101	EN 61076-2-101
Form, plug connector X2		Straight	Straight	Straight	Straight
Material of ring nut X1		CuZn	CuZn	CuZn	CuZn
Material of ring nut X2		CuZn	CuZn	CuZn	CuZn
Housing material X1		PUR	PUR	PUR	PUR
Housing material X2		PUR	PUR	PUR	PUR
Material of contact surface		Au	Au	Au	Au
Pin material		CuZn	CuZn	CuZn	CuZn
Socket material		CuSn	CuSn	CuSn	CuSn
Conductor material		Cu	Cu	Cu	Cu
Insulating cover for conductor		PP (9Y)	PP (9Y)	PP (9Y)	PP (9Y)
Mating cycles X1		100	100	100	100
Mating cycles X2		100	100	100	100
Cable type		LiF9Y11Y	LiF9Y11Y	LiF9Y11Y	LiF9Y11Y
Cable length L		3,00 m	5,00 m	10,00 m	30,00 m
Colour of external cable insulation		Yellow, similar to RAL1003	Yellow, similar to RAL1003	Yellow, similar to RAL1003	Yellow, similar to RAL1003
Min. bending radius (for laying)		5 x Ø	5 x Ø	5 x Ø	5 x Ø
Min. bending radius (for constant movement)		10 x Ø	10 x Ø	10 x Ø	10 x Ø
Cable insulation material		PUR, TPU / TPE-U	PUR, TPU / TPE-U	PUR, TPU / TPE-U	PUR, TPU / TPE-U

PSS67/PDP67 Cable M8-M12 4p

Mechanical data	380204	380205	380206	380207
Suitable for drag chains	No	No	No	No
Cable diameter	4,60 mm	4,60 mm	4,60 mm	4,60 mm
Cable cross section	0,25 mm ²	0,25 mm ²	0,25 mm ²	0,25 mm ²
Cable cross section AWG	24	24	24	24
Wire colour	Brown, white, blue, black	Brown, white, blue, black	Brown, white, blue, black	Brown, white, blue, black
Stranding	4 cores	4 cores	4 cores	4 cores
Shielding	No	No	No	No
Wire layer separation	No	No	No	No
No. of wires	4	4	4	4
Cable approval	UL AWM-Style 20233, UL/CSA	UL AWM-Style 20233, UL/CSA	UL AWM-Style 20233, UL/CSA	UL AWM-Style 20233, UL/CSA
Protection type				
X1 when inserted	IP67	IP67	IP67	IP67
X2 when inserted	IP67	IP67	IP67	IP67
Housing	IP67	IP67	IP67	IP67
Material				
Housing	PUR	PUR	PUR	PUR
Weight	110 g	178 g	341 g	991 g

Order reference

Order reference				
Product type	Features	Connector X1	Connector X2	Order no.
PSS67 Cable M8sf M12sm, 3m	3 m	M8 female connector, straight	M12 male connector, straight	380 200
PSS67 Cable M8sf M12sm, 5m	5 m	M8 female connector, straight	M12 male connector, straight	380 201
PSS67 Cable M8sf M12sm, 10m	10 m	M8 female connector, straight	M12 male connector, straight	380 202
PSS67 Cable M8sf M12sm, 30m	30 m	M8 female connector, straight	M12 male connector, straight	380 203
PSS67 Cable M8af M12sm, 3m	3 m	M8 female connector, angled	M12 male connector, straight	380 204
PSS67 Cable M8af M12sm, 5m	5 m	M8 female connector, angled	M12 male connector, straight	380 205
PSS67 Cable M8af M12sm, 10m	10 m	M8 female connector, angled	M12 male connector, straight	380 206

PSS67/PDP67 Cable M8-M12 4p

Product type	Features	Connector X1	Connector X2	Order no.
PSS67 Cable M8af M12sm, 30m	30 m	M8 female connector, angled	M12 male connector, straight	380 207