

14

13

12

C

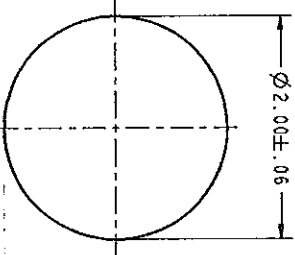
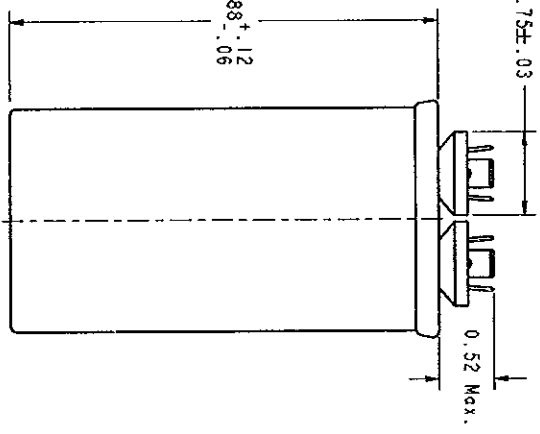
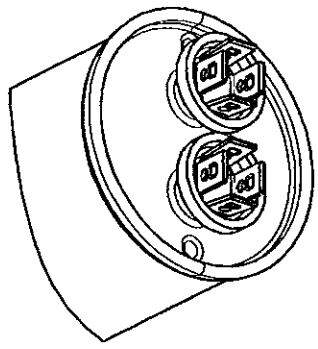
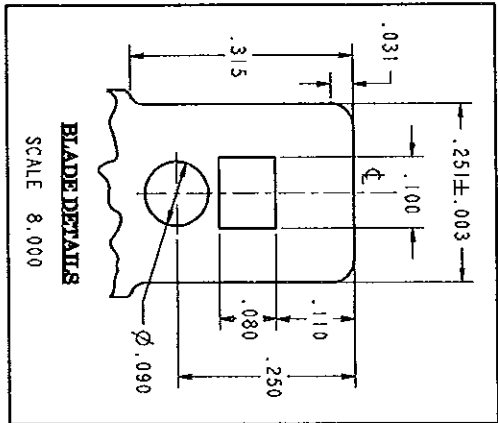
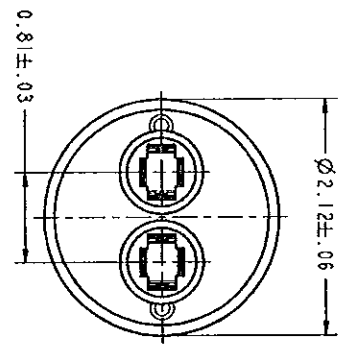
343X965

0

REV

THIS DRAWING IS THE PROPERTY OF MILWAUKEE ELECTRIC CORPORATION (MILWAUKEE) AND IS LOANED TO YOU BY THE SUPPLY CONTRACTOR FOR YOUR INFORMATION ONLY. IT IS TO BE USED FOR THE DESIGN AND CONSTRUCTION OF THE PROJECT ONLY. IT IS NOT TO BE REPRODUCED, COPIED, OR TRANSMITTED IN ANY FORM OR BY ANY MEANS, ELECTRONIC OR MECHANICAL, INCLUDING PHOTOCOPYING, RECORDING, OR BY ANY INFORMATION STORAGE AND RETRIEVAL SYSTEM. WITHOUT THE WRITTEN PERMISSION OF MILWAUKEE ELECTRIC CORPORATION.

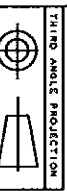
REV.	DESCRIPTION	DATE	APPROVED



**SPECIFICATIONS:**

"GEM-III Capacitors are manufactured with High Grade Metallized Polypropylene Film"

Main Capacitance	: 65.00µF ±6%
Secondary Capacitance	: NIL
Volts	: 240AC
Leakage Current	: 30µA Max.
Frequency	: 50/60 HZ
Operating Temperature	: -40 DEG C TO 70 DEG C
Storage Temperature	: -40 DEG C TO 90 DEG C
Operative Life	: 60,000 HRS HRS WITH 94% SURVIVAL
Disposition Factor	: 0.1% MAX.
Case Material	: ALUMINUM
Cover Material	: STEEL TIN PLATED
Terminals	: 0.250" x 0.031" Quick Connect Blades
Dielectric Fluid	: DIELECTROL VI
Internal Protection	: UL RECOGNIZED PSI S10000AFC



FOR ADDITIONAL INFO REFER TO:	SIGNATURES	DATE
DESIGNER		
DRAWN		
CHECKED		
APPROVED		

NO.	DATE	DESCRIPTION
1	02/09/11	
2	02/09/11	
3	02/09/11	

SCALE: 1:20	REV. NO.	343X965	SHEET 1 OF 1
-------------	----------	---------	--------------

**GEM III CAPACITOR**  
OUTLINE DRAWING

MILWAUKEE ELECTRIC CORPORATION