

General Purpose A-C Capacitors - Gem III (Series Section)

660 Volts A-C

This series of Gem III capacitors is specifically designed for general purpose AC applications in power supplies, UPS and power conversion equipment. Application Data is provided that gives the Equivalent Series Resistance (ESR) for each unit. This allows the user to calculate the losses for each design/application and to ensure that they are kept within the permissible limits. Any questions regarding the suitability of a capacitor for a particular application may be referred to GE Engineers through your GE Sales Representative.

SPECIFICATIONS

Available Capacitance Range:	1.0 to 35 mF
Capacitance Tolerance:	± 6%
Capacitance Variation with Temperature:	See chart E-3 on page 8
Rated Voltage:	See Ratings Tables. Rating is the 60Hz RMS voltage for a sinusoidal waveform. For other waveforms refer to the Application Note on page 5
Leakage Current:	30 μ A maximum
Frequency:	50/60Hz. For higher frequencies refer to the Application Notes
Operating Temperature:	-40°C to +70°C
Storage Temperature:	-40°C to +90°C
Operating Life:	60,000 hours with 94% survival
Dissipation Factor:	0.1% maximum
Case Material/Finish:	Unpainted Aluminum
Terminations:	0.250" x 0.031" quick connect blades
Dielectric Fluid:	Dielektrol VI
Internal Protection:	UL recognized Pressure Sensitive Interrupter. See Ratings Table for GE's Code Number listed under GE's U.L. File

Case Style	GE Code	Generic U.L. Code
A	P851	A10000AFC
B	P852	B10000AFC
C	P853	C10000AFC

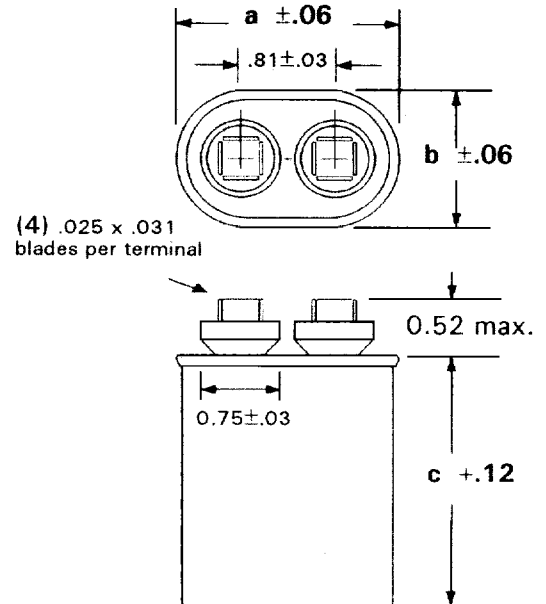
No. E7793(N). For UL submittals with these capacitors use the GE 'Pxxx' number not the Catalog Number. The corresponding generic U.L. designation that includes the Available Fault Current (AFC) rating is given below. All these capacitors are capable of interrupting available fault currents of up to 10,000 Amperes.

General Purpose 660 VAC Capacitors - Gem III

660 VOLTS AC

* STANDARD RATINGS

Capacitance (μ F)	Catalog Number	Case Style	Height c (in.)	UL Code
660 Volts AC Nominal				
1	27L6007	A	2.12	P851
1.5	27L6008	A	2.12	P851
2	27L6009	A	2.88	P851
2.5	27L6010	A	2.88	P851
3	27L6011	A	2.88	P851
4	27L6012	A	3.88	P851
5	27L6013	A	3.88	P851
6	27L6014	A	4.75	P851
7	27L6015	A	4.75	P851
8	27L6016	A	4.75	P851
10	27L6017	B	3.88	P852
12	27L6018	B	4.75	P852
15	27L6019	B	5.75	P852
18	27L6020	B	5.75	P852
20	27L6021	C	5.75	P853
25	27L6022	D	4.75	P854
30	27L6023	D	4.75	P854
35	27L6037	D	5.75	P854



Case Style	a	b
A	2.16	1.31
B	2.69	1.56
C	2.91	1.91
D	3.66	1.97

* It is GE's goal to serve you with the most cost effective and the highest quality capacitor designs. Standardization to the catalog types shown is a major program at GE. However, GE remains sensitive to your needs and requirements, and will continue to offer the above ratings (and more) in case configurations to meet your application (s).