

NAME:501221413 OBJECT:CAPACITOR_ASM_DWG DATE:02-Aug-07 21:34:08

14

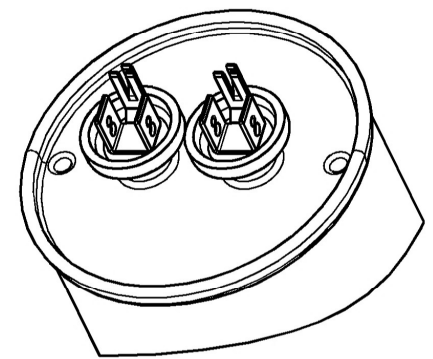
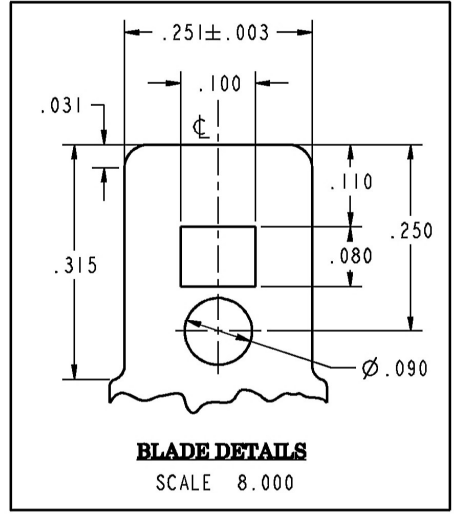
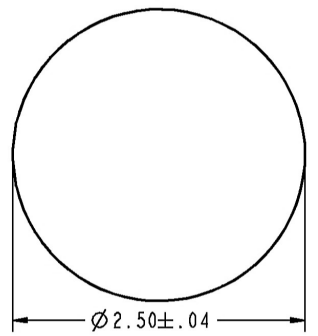
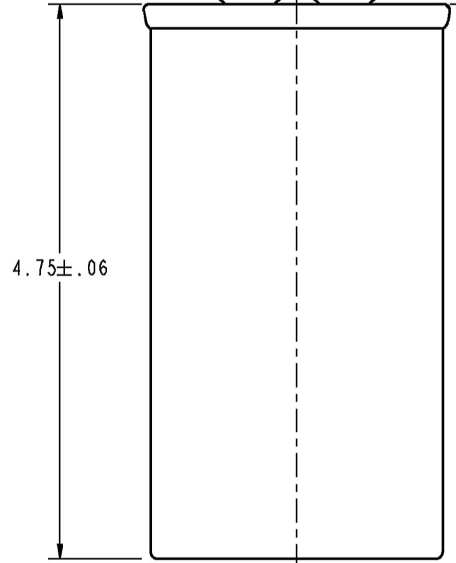
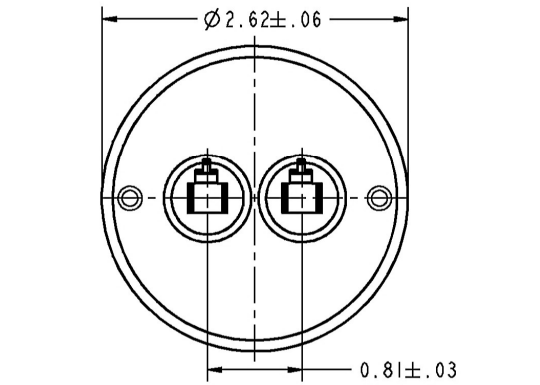
13

12

SIZE DRAWING NO. **27L457** REV 0 SHEET 1

RBC PROPRIETARY AND CONFIDENTIAL INFORMATION
 This document is the property of REGAL-BELOIT CORPORATION ("RBC") including its subsidiaries and divisions and contains proprietary information of RBC. This document is loaned on the express condition that neither it nor the information contained hereon shall be disclosed in whole or in part, nor be copied, written, copied, or in any way be used by the recipient without the express written consent of RBC, and that the information shall be returned to RBC upon its request. This document may be subject to certain restrictions under U.S. export control laws and regulations.

REVISIONS			
REV.	DESCRIPTION	DATE	APPROVED

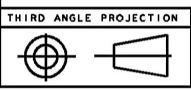


SCALE 1.500

SPECIFICATIONS :

"GEM-III Capacitors are manufactured with High Grade Metallized Polypropylene Film"

Main Capacitance	: 60.00µF ± 1.5%
Secondary Capacitance	: NIL
Volts	: 330AC
Leakage Current	: 30µA Max.
Frequency	: 50/60 HZ
Operating Temperature	: -40 DEG C TO 90 DEG C
Storage Temperature	: -40 DEG C TO 90 DEG C
Operative Life	: 60,000 HRS WITH 94% SURVIVAL
Dissipation Factor	: 0.1% MAX.
Case Material	: ALUMINIUM
Cover Material	: STEEL TIN PLATED
Terminals	: 0.250"x0.031" Quick Connect Blades
Dielectric Fluid	: DIELEKTROL VI
Internal Protection	: UL RECOGNIZED PRESSURE SENSITIVE INTERRUPTER



FOR ADDITIONAL INFO REFER TO:	SIGNATURES	DATE
APPLIED PRACTICES	MODEL	AVL 08/02/07
UNLESS OTHERWISE SPECIFIED DIMENSIONS ARE IN INCHES	DETAIL	AVL 08/02/07
TOLERANCE ON:	CHECKED	HV 08/02/07
1 PL DECIMALS ± 0.1	ENGR	-
2 PL DECIMALS ± 0.01	MFG	-
3 PL DECIMALS ± 0.001	QUALITY	-
ANGLES ± 0.5	ISSUED	-
FRACTIONS ±		
FINISH		
MATERIAL	SOLID MODEL: CAPACITOR.ASSEMBLY	

REGAL-BELOIT CORPORATION

GEM III CAPACITOR OUTLINE DRAWING

SIZE DRAWING **27L457** REV 0

SCALE: 1.250 REF. No. SHEET 1 OF 1

14

13

12

11