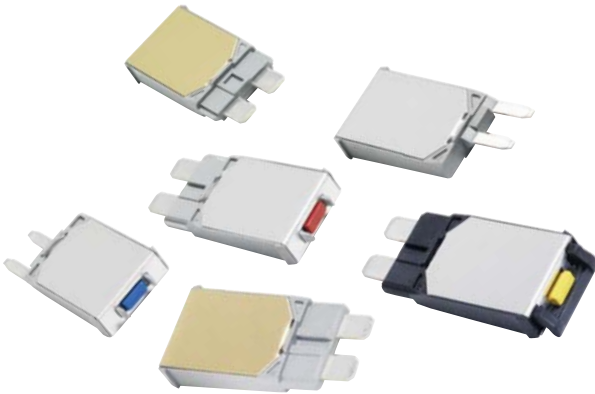


Series 22X circuit breakers



ATC® Circuit Breakers

Auto, Modified, & Manual Reset

Specifications

Single Pole Thermal Type Breakers

Rating: 5-30A, 14Vdc; 28Vdc (Series 223 & 226).

Interrupt Rating: 150A @ 14Vdc (5-10A versions); 225A @ 14Vdc (15A version); 300A @ 14Vdc (20A version); 450A @ 14Vdc (25-30A versions).

Operating Temperature Rating: -40°F (-40°C) to 185°F (85°C).

Storage Temperature Rating: -40°F (-40°C) to 260°F (125°C).

Materials: UL-Rated 94V0 thermoplastic housing with gold metal cover (Type I) or silver metal cover (Type II & III).

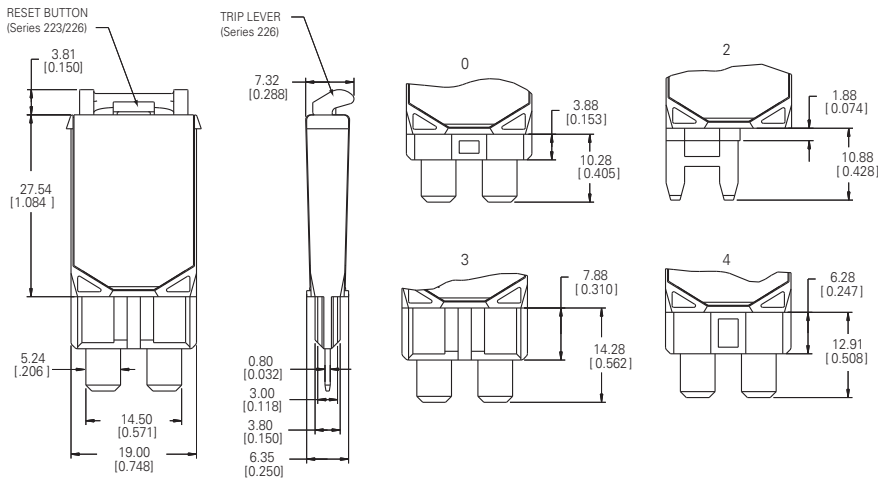
Marking: Standard marking includes amp/volt ratings, part number, and date code. Type III reset buttons are color-coded to amperage ratings. Push-to-trip option is available on manual reset version. OCR marking is available.

Termination: Compatible with 280 Type or ATC® fuse blocks.

Compliances: SAE J553, SAE J1171 (ignition protection)

Dimensions - mm(in)

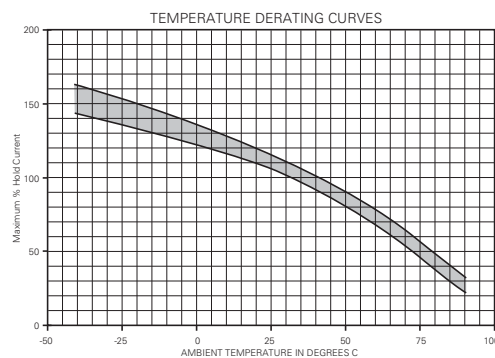
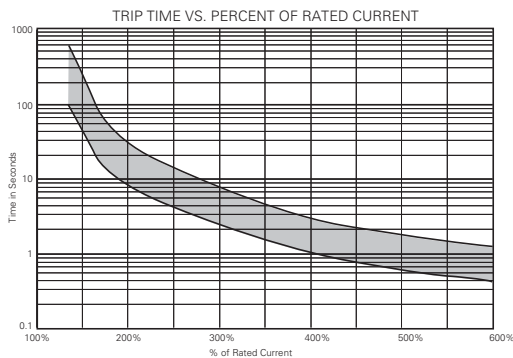
(Dims. Shown are for reference only. Contact factory for latest prints)



Fuse Puller - Part Number 32003



See Series 3200 insertion/extraction tool for more information



Part Numbering System

Series



221 - Type I, 14VDC
 222 - Type II, 14VDC
 223 - Type III, 24VDC
 226 - Type III w/Push-to-trip option, 24VDC

Consult factory for terminal option availability.

Rating



05 - amps [LT. Brown (Tan)]*
 75 - 7.5 amps [Brown]*
 10 - 10 amps [Red]*
 15 - 15 amps [Blue]*
 20 - 20 amps [Yellow]*
 25 - 25 amps [White]*
 30 - 30 amps [Green]*

*Reset Button Color (223 & 226 only).

Terminal



0 - ATC® Fuse, 4mm Insertion Depth
 2 - 8.1mm Centerline 280 (MINI)
 3 - ATC® Fuse, Delphi Packard Autofuse Block (e.g. 12004943)
 4 - ATC® Fuse, Blocks with Raised Shrouds, 6.4mm Insertion Depth

Marking



00 - Std. Marking
 (Consult factory for special marking options)