

**40**mm sq.

# San Ace 40

10mm thick, 15mm thick, 20mm thick  
 28mm thick (GE type)  
 28mm thick (GV type), 28mm thick



## General Specifications With a pulse sensor

- Material ..... Frame: Plastics (Flammability: UL94V-0),  
 Impeller: Plastics (Flammability: UL94V-1)
- Life Expectancy ..... Varies for each model (L10: Survival rate: 90% at 60°C, rated voltage, and continuously run in a free air state)
- Lead Wire ..... ⊕ red ⊖ black or blue (Sensor) yellow
- Storage Temperature ..... -30°C to +70°C (Non-condensing)

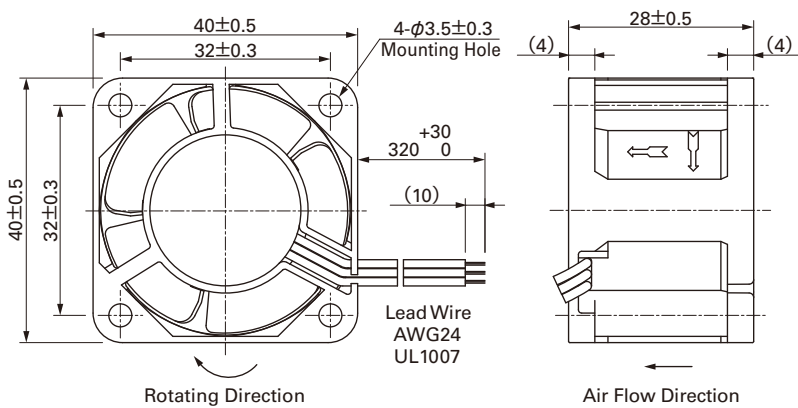
**40×40×28mm** (Mass : 52g)

## Specifications

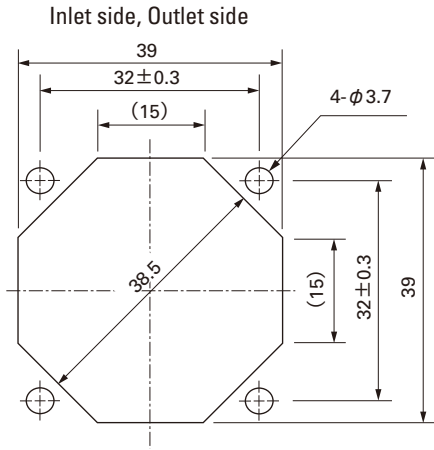
Model No.	Rated Voltage [V]	Operating Voltage Range [V]	Rated Current [A]	Rated Input [W]	Rated Speed [min <sup>-1</sup> ]	Air Flow [m <sup>3</sup> /min] [CFM]	Static Pressure [Pa] [inchH <sub>2</sub> O]	SPL [dB(A)]	Operating Temperature [°C]	Life Expectancy [h]
109P0405H3013	5	4.5 to 5.5	0.68	3.4	8,700	0.32 11.3	103 0.414	37	-10 to +70	40,000
109P0405F3013			0.28	1.4	6,700	0.244 8.6	58.8 0.236	30		60,000
109P0412K3013	12	8 to 13.2	0.55	6.6	15,500	0.59 21.0	340 1.365	50	-10 to +60	40,000
109P0412J3013			7 to 13.2	0.35	4.2	12,500	0.46 16.3	210 0.843		
109P0412G3013		0.31		3.72	11,500	0.42 14.8	179 0.719	42		
109P0412B3013		7 to 13.8	0.28	3.36	10,300	0.38 13.4	143 0.574	40	-10 to +70	60,000
109P0412H3013				2.34	8,700	0.32 11.3	103 0.414	37		
109P0412F3013				1.26	6,700	0.244 8.6	58.8 0.236	30		
109P0412M3013				10.2 to 13.8	0.045	0.54	4,100	0.15 5.3		
109P0424J3013	24	12 to 26.4	0.18	4.32	12,500	0.46 16.3	210 0.843	44	-10 to +60	40,000
109P0424G3013			0.19	4.56	11,500	0.42 14.8	179 0.719	42		
109P0424B3013		12 to 27.6	0.13	3.12	10,300	0.38 13.4	143 0.574	40		
109P0424H3013			0.095	2.28	8,700	0.32 11.3	103 0.414	37		
109P0424F3013			14 to 27.6	0.055	1.32	6,700	0.244 8.6	58.8 0.236	30	

**Without Sensor** **Pulse Sensor** Available in all models. **Lock Sensor** **PWM Control** Please inquire as the availability of these functions depend on the model.

## Dimensions (Unit : mm)



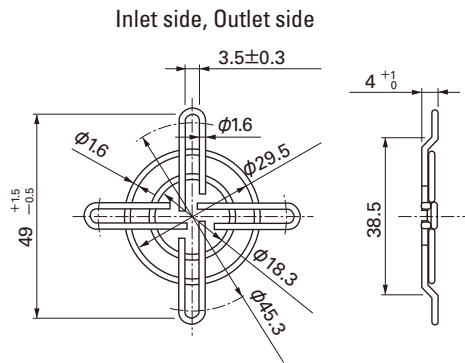
Reference dimension of mounting holes and vent opening (Unit : mm)



Options (Unit : mm)

Finger guards

Model : 109-059 Surface treatment : Nickel-chrome plating (silver) Color

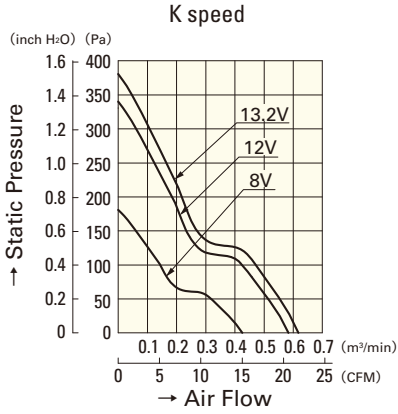


**40** mm sq.

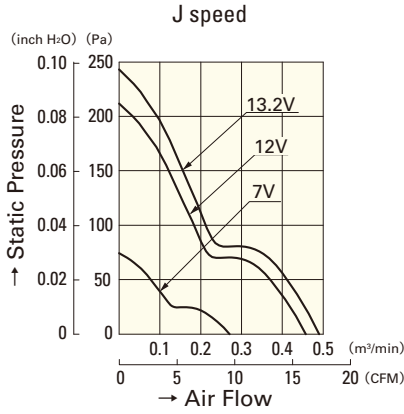
**San Ace 40**

**40×40×28mm** [Mass : 52g]

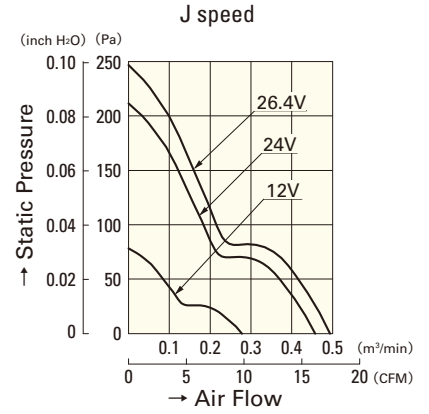
**Air Flow and Static Pressure Characteristics**



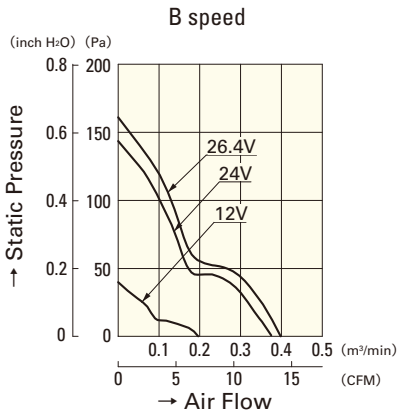
**109P0412K3013**



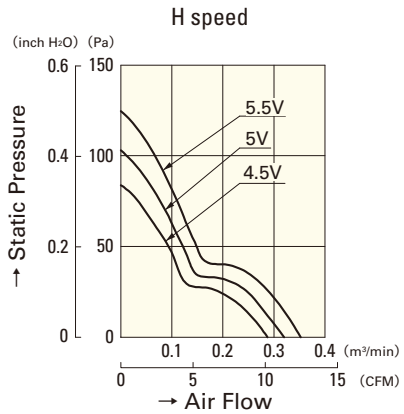
**109P0412J3013**



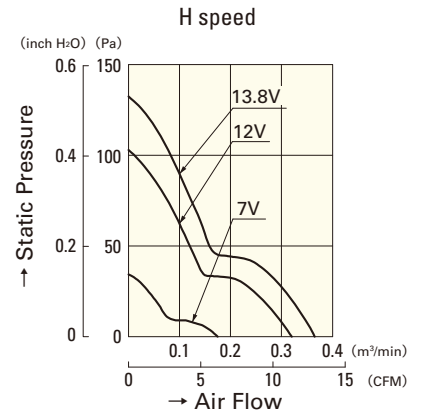
**109P0424J3013**



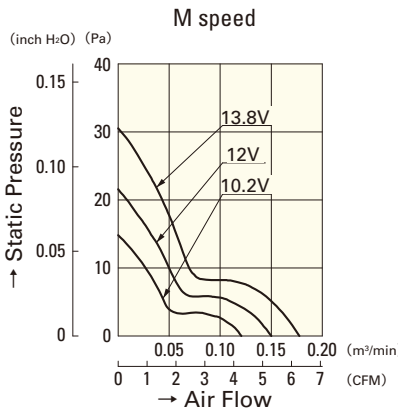
**109P0424B3013**



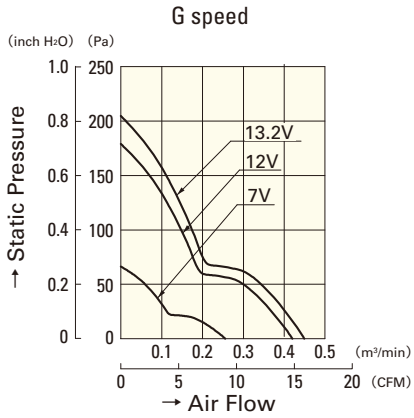
**109P0405H3013**



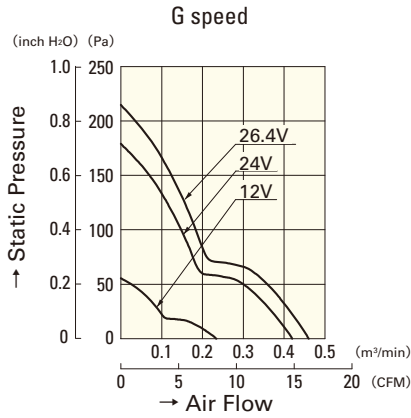
**109P0412H3013**



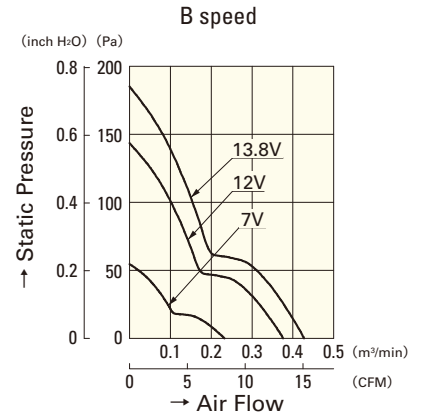
**109P0412M3013**



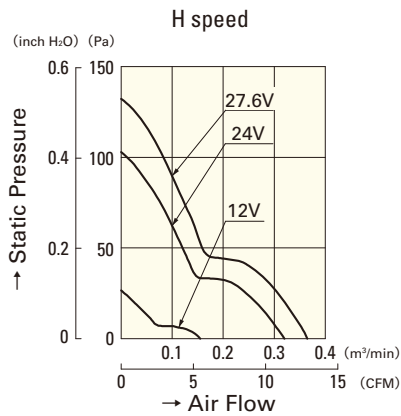
**109P0412G3013**



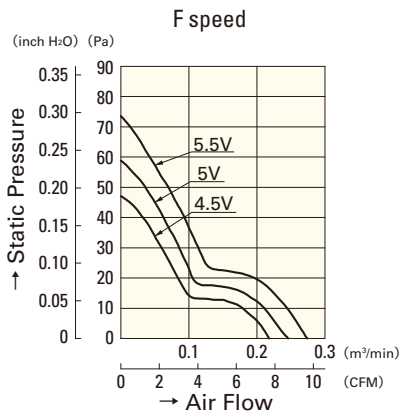
**109P0424G3013**



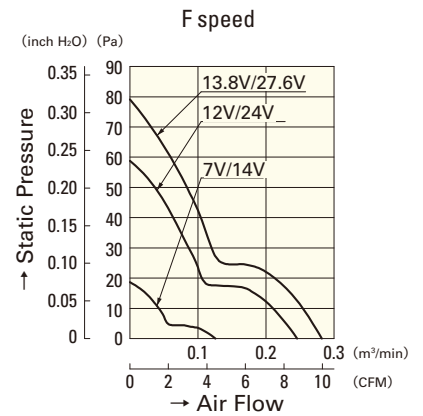
**109P0412B3013**



**109P0424H3013**



**109P0405F3013**



**109P0412F3013**

**109P0424F3013**